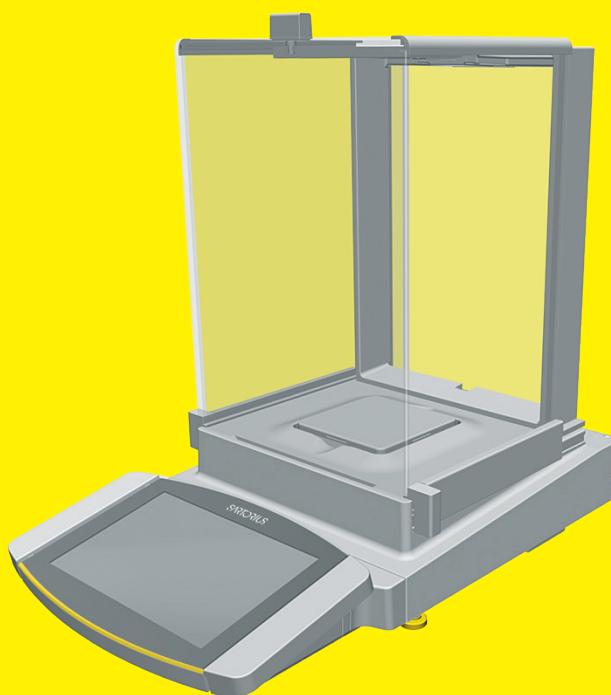


Operating Instructions
Original Operating Instructions

Cubis®

MCA Models
Semimicro, Analytical and Precision Balances



1000047984



SARTORIUS

Contents

1	About these Instructions	7	4	Operating Design	21
1.1	Scope	7	4.1	Operating Elements in the Main Menu	21
1.2	Symbols Used	7	4.2	Operating Elements in Task Management	22
1.2.1	Warnings in Operating Instructions	7	4.3	Operating Elements in the Weighing Display	23
1.2.2	Other Symbols	8	4.4	Advanced Operator Guidance	24
1.3	Target Groups	8	4.5	Messages	25
2	Safety Instructions	9	4.6	Status Center	26
2.1	Intended Use	9	4.7	Keypad	27
2.1.1	Modifications to the Device	9	4.8	Status Display of the Buttons	27
2.1.2	Repairs to the Device	9	4.9	Buttons in the Operating Display	28
2.2	Personnel Qualification	10	4.9.1	Buttons for Navigation or Organization in Displays	28
2.3	Significance of these Instructions	10	4.9.2	Buttons for Editing or Managing Entries	29
2.4	Functionality of the Device	10	4.9.3	Buttons for Weighing, Printing, and Export Functions	30
2.5	Safety Information on the Device	10	4.10	Displays in the Operating Display	32
2.6	Electrical Equipment	11	4.11	User Management	33
2.6.1	Damage to the Device's Electrical Equipment	11	4.11.1	User Profiles	33
2.6.2	Working on the Device's Electrical Equipment	11	4.11.2	User Login	33
2.6.3	Power Supply Unit and Power Supply Cable	11	4.12	Weighing and Print Profiles	33
2.7	Conduct in an Emergency	11	4.13	Tasks and Applications	33
2.8	Accessories, Consumables, and Spare Parts	12	4.14	Menu Structure	34
2.9	Glass Breakage	12	4.14.1	Main Menu	34
3	Device Description	13	4.14.2	"Settings" Menu	35
3.1	Device Overview	13	4.15	Navigating the Menus	41
3.2	Draft Shield	14	5	Installation	43
3.3	Weighing Pan and Associated Components	15	5.1	Scope of Delivery	43
3.4	Connections and Components on the Weighing Module	16	5.2	Selecting an Installation Site	44
3.4.1	Analytical Balance and Precision Balance	16	5.3	Unpacking the Device	44
3.4.2	Semi-microbalance with Electronics Module	17	5.4	Removing the Display and Control Unit	45
3.5	Connections and Components on the Electronics Module	17	5.4.1	Positioning the Display and Control Unit	45
3.6	Connections on the Display and Control Unit	18	5.5	Connecting the Ethernet Cable	46
3.7	Safety Equipment	18	5.6	Preparing Below-balance Weighing	46
3.7.1	Protective Caps on the Analytical Balance and Precision Balance	18	5.7	Installing a Device with an Analytical Draft Shield or Flat Glass Draft Shield	48
3.7.2	Protective Caps on the Electronics Module	19	5.7.1	Positioning the Weighing Pan and Associated Components	48
3.8	Conformity-assessed Devices	20	5.7.2	Installing the Analytical Draft Shield	49
3.9	Symbols on the Device	20	5.7.3	Installing the Flat Glass Draft Shield	50
			5.8	Installing a Device with a Frame Draft Shield	50
			5.8.1	Positioning the Weighing Pan and Associated Components	50
			5.9	Connecting the Electronics Module (Only for Semi-microbalance)	51

5.10	Installing Palm-operable Keys (Only for Devices with Motorized Draft Shield).....	51	7.7.11	Parameters in the “Connections/ Interfaces/Serial Communication over Network” (Ethernet) Menu.....	72
5.11	Setting Up the Cable Entry (Only for Devices with a Manual Analytical Draft Shield).....	52	7.7.12	Parameters in the “Connections/ Interfaces/COM-RS232 Interface” Menu.....	72
5.12	Acclimatization	53	7.7.13	Parameters in the “Connections/ Interfaces/USB-B Interface” Menu.....	74
6	Getting Started	54	7.7.14	Parameters in the “Connections/ SBI Protocol” Menu	75
6.1	Installing the AC Adapter	54	7.7.15	Parameters in the “Connections/ Climate Modules” Menu	75
6.2	Connecting the Power Supply.....	55	7.7.16	Parameters in the “Connections/ Connected Devices/Motion Sensor” Menu (only for connected motion sensors)	76
6.3	Attaching the Protective Caps.....	55	7.7.17	Parameters in the “Connections/ Connected Devices/External USB Keys (only for connected peripheral device)” Menu	77
7	System Settings.....	56	7.7.18	Parameters in the “Device Settings/ Date and Time” Menu	77
7.1	Performing System Settings	56	7.7.19	Parameters in the “Device Settings/ Safe Weighing” Menu	78
7.2	Switching Off the isoCAL Function.....	56	7.7.20	Parameters in the “Device Settings/ Preload” Menu	79
7.3	Assigning a Password.....	57	7.7.21	Parameters in the “Device Settings/ Calibration/Adjustment Report” Menu.....	79
7.4	Opening the Help Function	57	7.7.22	Parameters in the “Device Settings/ minUSP” Menu.....	79
7.5	Setting Up Device for Network Printer.....	57	7.7.23	Parameters in the “Device Settings/ Measurement Uncertainty” Menu....	80
7.5.1	Selecting Configuration for Network Printing.....	57	7.7.24	Parameters in the “Device Settings/ Device ID” Menu	80
7.5.2	Setting Up Device for Network Printer via Independent Wi-Fi Network.....	58	7.7.25	Parameters in the “Device Settings/ Electronic Signature” Menu.....	81
7.5.3	Setting Up Device for Network Printer via Company Network.....	59	7.7.26	Parameters in the “Device Settings/ Draft Shield” Menu (Only for Devices with a Motorized Draft Shield)	81
7.5.4	Configuring Print Profiles	60	7.7.27	Parameters in the “Device Settings/ Ionizer” Menu (Only for Devices with an Ionizer).....	81
7.6	Descriptions of Interface Protocols and Website Certificates	60	7.7.28	Parameters in the “Device Settings/ Start-up Behavior” Menu.....	82
7.7	Parameter List	61	7.7.29	Parameters in the “Device Settings/ Display Properties” Menu	82
7.7.1	Parameters in the “User Management” Menu.....	61	7.7.30	Parameters in the “Device Settings/ Sound (Loudspeaker)” Menu.....	83
7.7.2	Parameters in the “Access Management” Menu	61	7.7.31	Parameters in the “Device Maintenance” Menu.....	83
7.7.3	Parameters in the “Timer-controlled Actions” Menu	62			
7.7.4	Parameters in the “Weighing and Print Profiles/ Weighing” Menu	63			
7.7.5	Parameters in the “Weighing and Print Profiles/YDP30, PC Direct, or SBI Direct” Menu	66			
7.7.6	Parameters in the “Weighing and Print Profiles/PDF or CSV” Menu....	68			
7.7.7	Parameters in the “Connections/Connectors” Menu ...	69			
7.7.8	Parameters in the “Connections/Network” Menu	70			
7.7.9	Parameters in the “Connections/ Website/Web Services” Menu.....	71			
7.7.10	Parameters in the “Connections/Certificates” Menu	71			

8	Operation	84	10	Malfunctions	101
8.1	Switching the Device On and Off.....	84	10.1	Warning Messages.....	101
8.2	Logging Users In and Out.....	85	10.2	Troubleshooting.....	101
8.3	Leveling the Device.....	85	11	Decommissioning	102
8.3.1	Level Device with Motorized Leveling Feet.....	85	11.1	Decommissioning the Device.....	102
8.4	Opening and Closing the Motorized Draft Shield (Only for Devices with a Motorized Draft Shield).....	86	12	Transport	102
8.4.1	Opening Draft Shield by Pressing the Palm-operated Key.....	86	12.1	Transporting the Device.....	102
8.4.2	Defining the Opening Width.....	86	13	Storage and Shipping	103
8.5	Activating Applications and Adding a Task... ..	87	13.1	Storage.....	103
8.5.1	Activating Applications.....	87	13.2	Returning Device and Parts.....	103
8.5.2	Adding an Application to a Task.....	88	14	Disposal	104
8.6	Adding Weighing and Print Profiles to a Task.....	88	14.1	Information on Decontamination.....	104
8.7	Preparing Weighings.....	88	14.2	Disposing of Device and Parts.....	104
8.8	Weighing.....	89	14.2.1	Information on Disposal.....	104
8.9	Overview of Calibration, Adjustment, and Linearization.....	89	14.2.2	Disposal.....	104
8.10	Adjusting with the isoCAL Function.....	90	15	Technical Data	105
8.11	Internally Calibrating and Adjusting the Device.....	91	15.1	Dimensions and Weight.....	105
8.12	Weighing and Printing with ID Marking.....	91	15.1.1	Semi-microbalance.....	105
8.12.1	Saving Values for Printouts.....	91	15.1.2	Analytical Balance.....	105
8.12.2	Marking Saved Values as Invalid.....	92	15.1.3	Precision Balance.....	105
8.12.3	Marking Saved Values as Valid.....	92	15.2	Power Supply.....	106
8.12.4	Printing Saved Values.....	92	15.2.1	Device.....	106
8.12.5	Exiting the Task.....	93	15.2.2	AC Adapter.....	106
8.13	Viewing the Data Storage Device.....	93	15.2.3	Safety of Electrical Equipment.....	106
8.14	Turning the Ionizer On Off (Only for Devices with an Ionizer).....	94	15.2.4	Electromagnetic Compatibility.....	107
8.14.1	Setting the Ionizer.....	94	15.3	Ambient Conditions.....	107
8.14.2	Starting the Ionization Process.....	94	15.3.1	Installation Site.....	107
8.14.3	Switching Off the Ionizer.....	94	15.3.2	Ambient Temperature for the isoCAL Function.....	108
8.15	Running Applications (Examples).....	94	15.3.3	Protection Class.....	108
8.15.1	Executing the “Unit Change” Function.....	94	15.4	Materials.....	109
8.15.2	Running the “Statistics” Application (from QAPP Package “Essentials”).....	95	15.5	Integrated Clock.....	109
9	Cleaning and Maintenance	96	15.6	Backup Battery.....	109
9.1	Preparing a Device with an Analytical Draft Shield or Flat Glass Draft Shield.....	96	15.7	Metrological Data.....	110
9.2	Preparing a Device with a Frame Draft Shield.....	97	15.7.1	Models MCA225S MCA225P MCA125S MCA125P.....	110
9.3	Cleaning the Device.....	97	15.7.2	Models MCA524S MCA524P MCA324S MCA324P.....	111
9.4	Assembling and Connecting the Device.....	98	15.7.3	Models MCA224S MCA124S MCA5203S MCA5203P.....	112
9.5	Maintenance Schedule.....	98	15.7.4	Models MCA3203S MCA2203S MCA2203P MCA1203S.....	113
9.6	Performing a Software Update.....	99	15.7.5	Models MCA623S MCA623P MCA323S MCA5202S.....	114
9.7	Performing a QAPP Center Update.....	100	15.8	Recommended Calibration Weight.....	115

15.9	isoCAL Function.....	116	16 Accessories	118
15.9.1	Models MCA225S MCA225P MCA125S MCA125P MCA324S MCA324P MCA224S MCA124S MCA2203S MCA2203P MCA1203S	116	16.1 Accessories	118
15.9.2	Models MCA524S MCA524P MCA5203S MCA5203P MCA3203S.....	116	16.1.1 Printers and Communication.....	118
15.9.3	Models MCA623S MCA623P MCA323S MCA5202S.....	116	16.1.2 Displays and Input Output Elements.....	119
15.10	Data Storage Device.....	116	16.1.3 Hardware for Pipette Calibration.....	119
15.11	Interfaces	117	16.1.4 Filter Balance and Antistatic Accessories.....	119
15.11.1	Specifications for the COM-RS232 Interface.....	117	16.1.5 Special Applications.....	119
15.11.2	Specifications for the USB-A Interface	117	16.1.6 Weighing Tables.....	120
15.11.3	Specifications for the USB-B Interface	117	16.1.7 Weighing Accessories.....	120
			17 Sartorius Service	121
			18 Conformity Documents.....	121
			18.1 EU Declaration of Conformity	121
			18.2 UK Declaration of Conformity	123
			18.3 Certificate of Compliance	124

1 About these Instructions

1.1 Scope

These instructions are part of the device. These instructions apply to the device in the following versions:

Device	Model
Cubis® semi-microbalance, with manual or motorized draft shield, with or without ionizer	MCA125P-... MCA125S-... MCA225P-... MCA225S-...
Cubis® analytical balance, with manual or motorized draft shield, with or without ionizer	MCA124S-... MCA224S-... MCA324P-... MCA324S-... MCA524P-... MCA524S-...
Cubis® precision balance, with frame draft shield, flat glass draft shield, manual or motorized draft shield, with or without ionizer	MCA1203S-... MCA2203P-... MCA2203S-... MCA3203S-... MCA323S-... MCA5202S-... MCA5203P-... MCA5203S-... MCA623P-... MCA623S-...
Software Version	Version, at least
Package release	09-03-05.01.11
QAPP-Center Version	09-06-05.03.02

1.2 Symbols Used

1.2.1 Warnings in Operating Instructions

WARNING

Denotes a danger with the risk that death or severe injury may result if it is **not** avoided.

CAUTION

Denotes a hazard that may result in moderate or minor injury if it is **not** avoided.

NOTICE

Denotes a danger with the risk that property damage may result if it is **not** avoided.

1.2.2 Other Symbols

- ▶ Required action: Describes actions which must be carried out.
 - ▷ Result: Describes the result of the actions carried out.
 - [] Text inside brackets refers to control and display items.
 - [] Text inside brackets indicates status, warning, and error messages.
- M** Indicates information for legal metrology for conformity-assessed (verified) devices. Conformity-assessed devices are also referred to as “verified” in these instructions.

Figures on the Operating Display

The figures on the operating display of the device may deviate from those in these instructions.

1.3 Target Groups

These instructions are addressed to the following target groups. The target groups must possess the specified knowledge.

Target group	Knowledge and responsibilities
User	<p>The user is familiar with the operation of the device and the associated work processes. They understand the hazards which may arise when working with the device and know how to prevent them.</p> <p>They have been trained in the operation of the device. The training is carried out by the operating engineer laboratory manager or the operator of the device.</p>
Operator	<p>The operator of the device is responsible for compliance with safety requirements and workplace safety regulations.</p> <p>The operator must ensure that all persons who work with the device have access to the relevant information and are trained in working with the device.</p>

2 Safety Instructions

2.1 Intended Use

The device is a high-resolution balance, which can be used in laboratories. The device was developed to accurately determine the mass of materials in liquid, paste, powder, or solid form.

Appropriate containers must be used for loading each type of material. The device can be used in stand-alone operation or can be operated on a PC.

The device is exclusively designed for use in accordance with these instructions. Any further use beyond this is considered **improper**.

If the device is **not** used properly: The protective systems of the device may be impaired. This can lead to unforeseeable personal injury or property damage.

Operating Conditions for the Device

Do **not** use the device in potentially explosive environments. Only use the device indoors.

The device may only be used with the equipment and under the operating conditions described in the Technical Data section of these instructions.

2.1.1 Modifications to the Device

If the device is modified, for example by attaching extra components: Device safety may be affected, or the device may cease to be compliant.

If you have any queries regarding modifications to the device, contact Sartorius.

2.1.2 Repairs to the Device

Device repairs may only be carried out by persons with appropriate specialized knowledge of the device. If the device is **not** repaired by a specialist: The safety of the device may be impaired or the quality marks may lose their validity.

We recommend that any repair work, even that not covered by the warranty, is carried out by Sartorius Service or after consulting with Sartorius Service.

2.2 Personnel Qualification

If people who do **not** have sufficient knowledge on the safe handling of the device carry out work on the device: Those people may injure themselves or other people nearby.

- ▶ Ensure that all individuals working on the device possess the necessary knowledge and qualifications (see Chapter “1.3 Target Groups”, page 8.)
- ▶ If a particular qualification is required for the actions described: Have these activities carried out by the required target group.
- ▶ If **no** qualification is required for the actions described: Have these activities carried out by the “user” target group.

2.3 Significance of these Instructions

Failure to follow the instructions in this manual may have serious consequences, e.g. danger to individuals.

- ▶ Read the instructions carefully and in full.
- ▶ Ensure that the information contained in these instructions is available to all individuals working on the device.
- ▶ Retain the instructions.
- ▶ If these instructions are lost, request a replacement or download the latest version from the Sartorius website (www.sartorius.com).

2.4 Functionality of the Device

A damaged device or worn parts may lead to malfunctions or cause hazards which are difficult to recognize.

- ▶ Only operate the device when it is safe and in perfect working order.
- ▶ Have any damage repaired immediately by Sartorius Service.

2.5 Safety Information on the Device

Symbols, e.g. warnings, safety stickers, are safety information for the handling of the device. Missing safety information may lead to serious injuries.

- ▶ Do **not** conceal, remove, or modify the symbols.
- ▶ Replace the symbols if they become illegible.

2.6 Electrical Equipment

2.6.1 Damage to the Device's Electrical Equipment

Damage to the electrical equipment of the device, e.g. damage to the insulation, can be life-threatening. Contact with parts under voltage represents a direct danger to life.

- ▶ If the device's electrical equipment is defective, disconnect the device from the power supply and contact Sartorius Service.
- ▶ Keep live parts away from moisture. Moisture can cause short-circuits.

2.6.2 Working on the Device's Electrical Equipment

Only Sartorius Service personnel may work on or modify the electrical equipment of the device. The device may only be opened by Sartorius Service personnel.

2.6.3 Power Supply Unit and Power Supply Cable

Serious injury can result, e.g. from electric shocks, if an unsuitable and inadequately dimensioned power supply cable or unsuitable AC adapter is used.

- ▶ Only use the original power supply cable and AC adapter.
- ▶ If the AC adapter or power supply cable must be replaced: Contact Sartorius Service. Do **not** repair or modify the power supply unit or power supply cables.

2.7 Conduct in an Emergency

If there is immediate danger of personal injury or if there is a risk of damage to the device, e.g., due to malfunctions or dangerous situations, the device must be immediately taken out of operation.

- ▶ Disconnect the device from the power supply by disconnecting the power supply cable.
- ▶ Malfunctions should be remedied by Sartorius Service.

2.8 Accessories, Consumables, and Spare Parts

Unsuitable accessories, consumables, and spare parts can adversely affect functionality and safety, and have the following consequences:

- Risk of injury to persons
 - Damage to the device
 - Device malfunctions
 - Device failure
-
- ▶ Only use approved accessories and spare parts supplied by Sartorius.
 - ▶ Only use accessories, consumables, and spare parts that are in proper working order.

2.9 Glass Breakage

Glass components can break if they fall or are handled incorrectly. Glass fragments can cause cuts.

- ▶ Only lift the device by its base, **not** by the draft shield.
- ▶ When lifting and transporting, ensure that **no** personnel or objects are in the way.
- ▶ Only operate the operating display with your fingers. Do **not** use pointed or sharp objects.

3 Device Description

3.1 Device Overview

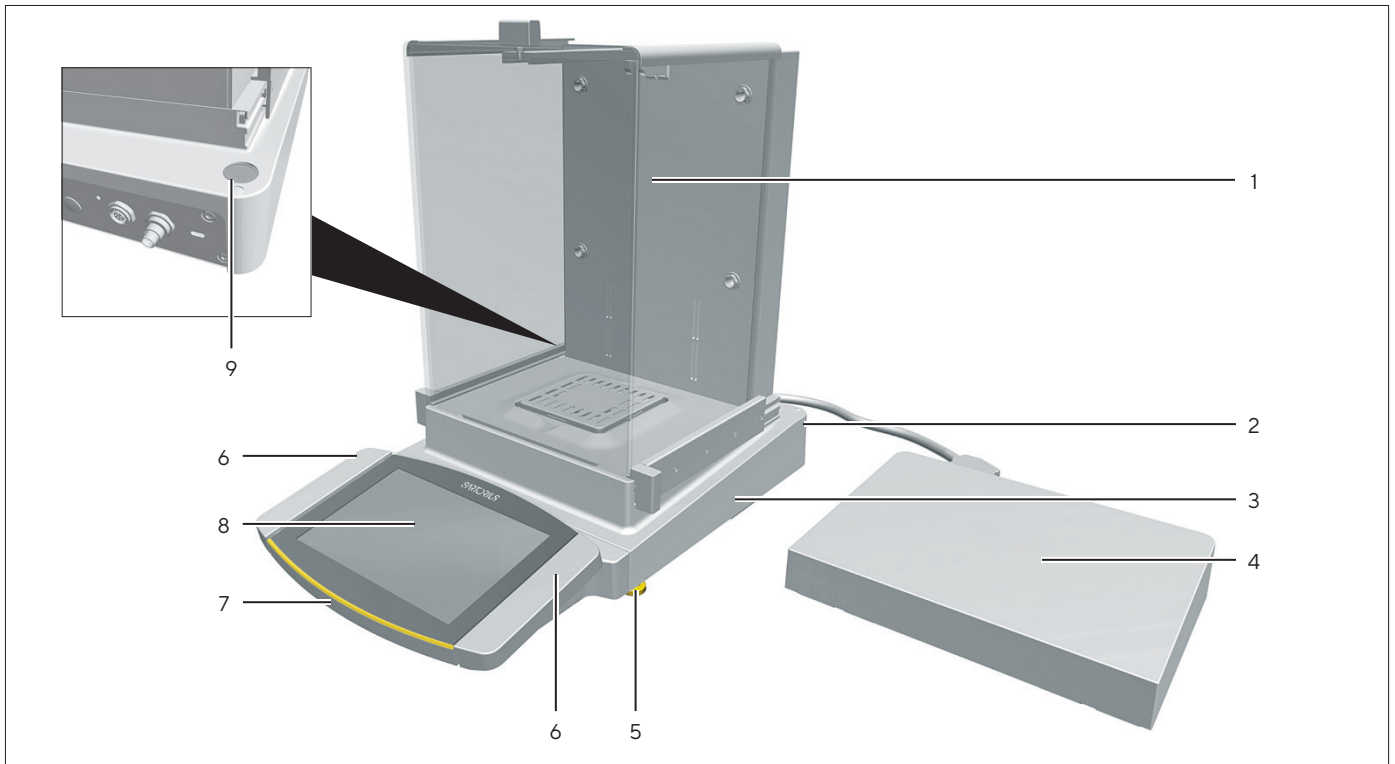


Fig.1: Semi-microbalance with motorized draft shield with ionizer and electronics module (example)

Pos.	Name	Description
1	Weighing chamber	
2	Manufacturer's ID label	Not depicted
3	Weighing module	
4	Electronics module	Only for semi-microbalances with electronics module
5	Leveling foot	Motorically adjustable
6	Palm-operated key	Opens and closes the side and upper panel of the draft shield
7	Display and control unit	
8	Operating display	Touchscreen
9	Level	

3.2 Draft Shield

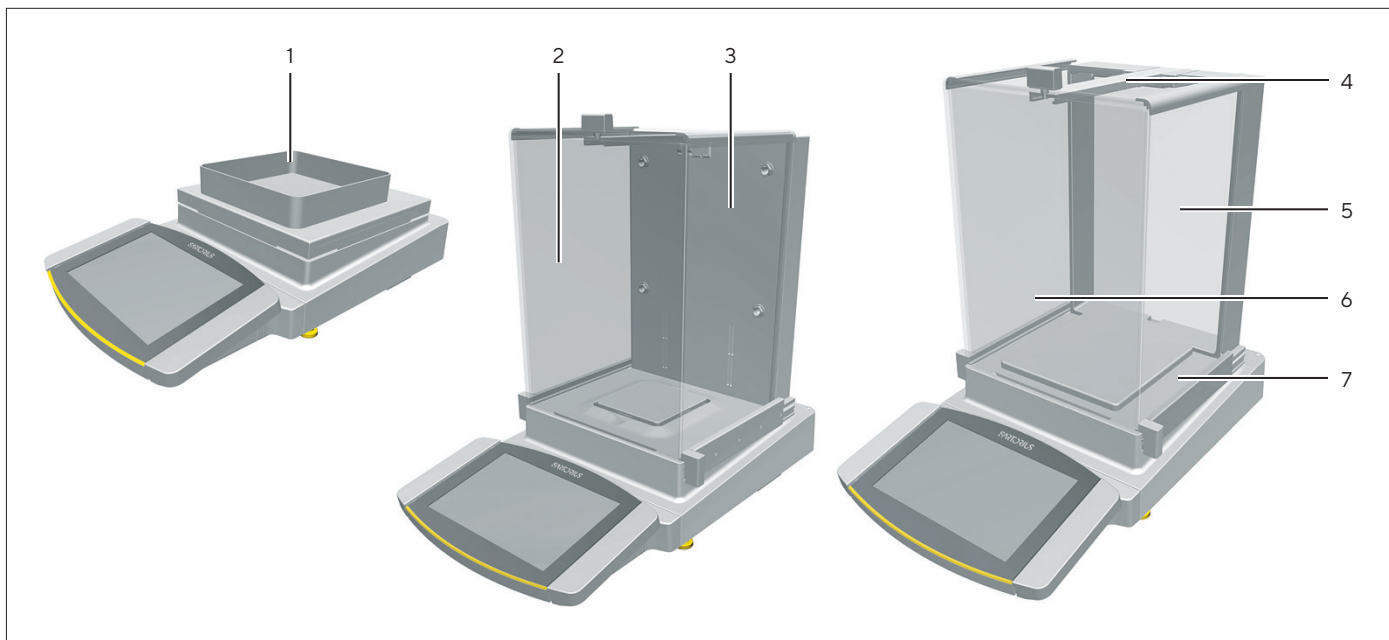


Fig. 2: Precision balance with frame draft shield, analytical balance with motorized analytical draft shield, and precision balance with manual analytical draft shield (example)

Pos.	Name	Description
1	Frame draft shield	Is placed on the shield plate.
2	Analytical draft shield	Can be opened at the door handle of the upper panel or at the door handles of the side panels. Is motorized in some models.
3	Housing back plate	Manufactured from metal and plastic parts
4	Upper draft shield panel	Used to open the upper panel. Can be opened manually and is motorized in some models.
5	Rear panel	Glass
6	Front panel	Glass
7	Side panel	Can be opened manually and is motorized in some models.

3.3 Weighing Pan and Associated Components

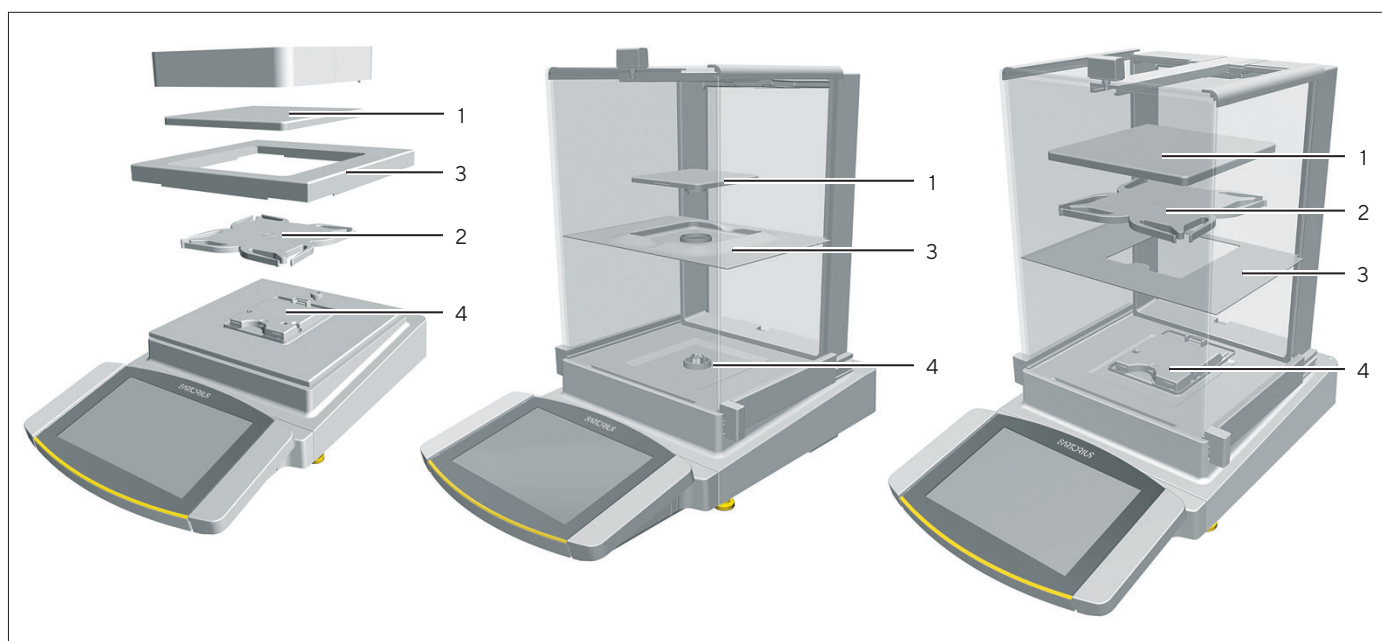


Fig. 3: Precision balance with frame draft shield, analytical balance with manual analytical draft shield, and precision balance with manual analytical draft shield (example)

Pos.	Name	Description
1	Weighing pan	
2	Pan support	Only for models with pan support
3	Shield plate	
4	Pan retainer	

3.4 Connections and Components on the Weighing Module

3.4.1 Analytical Balance and Precision Balance

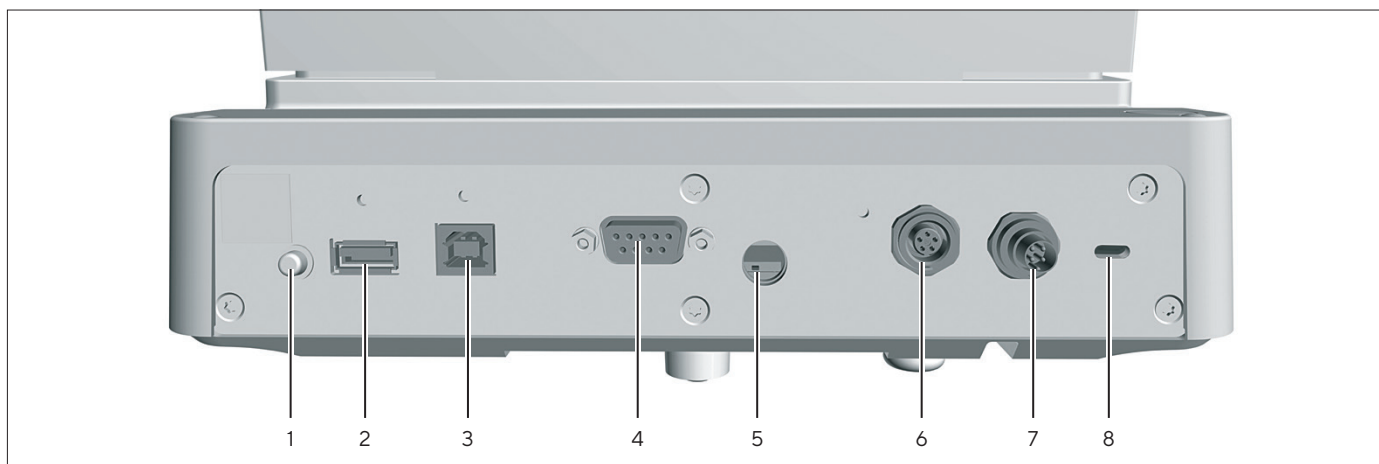


Fig. 4: Connections on the weighing module of the analytical balance and precision balance (example)

Pos.	Name	Description
1	On key	Switches the device on from standby mode.
2	USB-A connection	For USB accessories, e.g. printers, USB mass storage devices, barcode scanners
3	USB-B connection	For connection to a PC
4	COM-RS232 connection	9-pin, for connection to a PC or PLC
5	Access switch	Protects the device from changes to the device settings. Is sealed for conformity-assessed devices.
6	Peripheral connection	For connecting Sartorius accessories
7	Power supply	For connection to the power supply
8	Slot	For attaching a "Kensington" anti-theft device

3.4.2 Semi-microbalance with Electronics Module

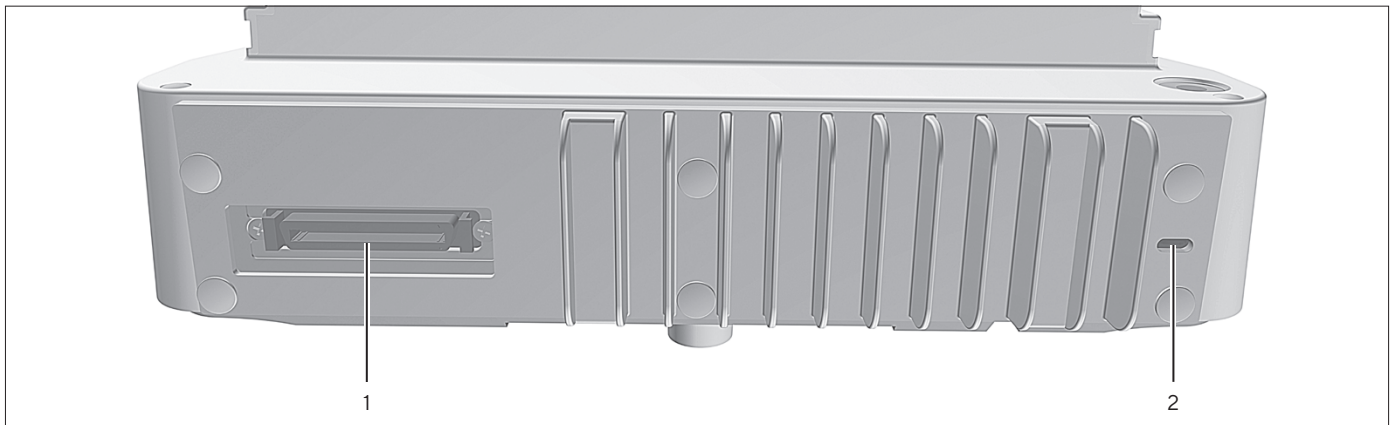


Fig. 5: Connections on the weighing module of the semi-microbalance with electronics module (example)

Pos.	Name	Description
1	Electronics module connection	For connecting the electronics module to the weighing module
2	Slot	For attaching a "Kensington" anti-theft device

3.5 Connections and Components on the Electronics Module

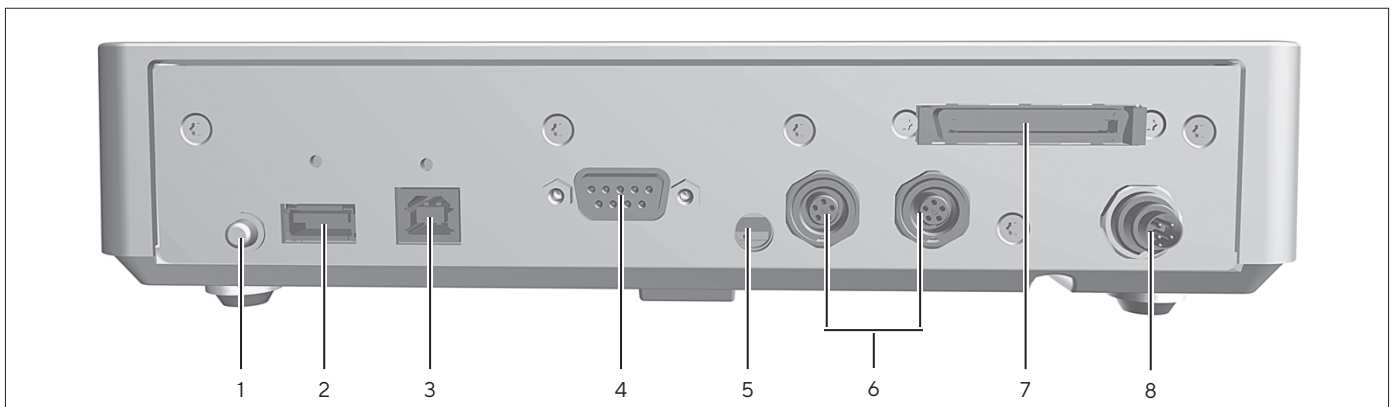


Fig. 6: Connections on the electronics module (example)

Pos.	Name	Description
1	On key	Switches the device on from standby mode.
2	USB-A connection	For USB accessories, e.g. printers, USB mass storage devices, barcode scanners
3	USB-B connection	For connection to a PC
4	COM-RS232 connection	9-pin, for connection to a PC or PLC
5	Access switch	Protects the device from changes to the device settings. Is sealed for conformity-assessed devices.
6	Peripheral connection	For connecting Sartorius accessories
7	Weighing module connection	For connecting the electronics module to the weighing module
8	Power supply	For connection to the power supply

3.6 Connections on the Display and Control Unit

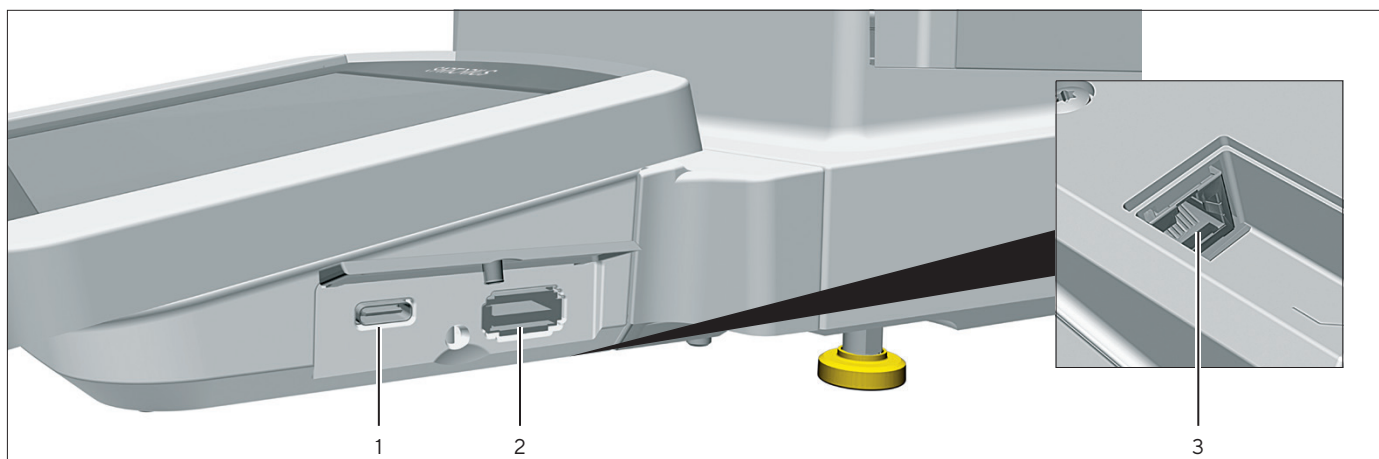


Fig.7: Connections on the display and control unit (example)

Pos.	Name	Description
1	USB-C connection	For USB mass storage devices
2	USB-A connection	For USB accessories, e.g. printers, USB mass storage devices, barcode scanners
3	Ethernet connection	For connecting an Ethernet cable

3.7 Safety Equipment

3.7.1 Protective Caps on the Analytical Balance and Precision Balance

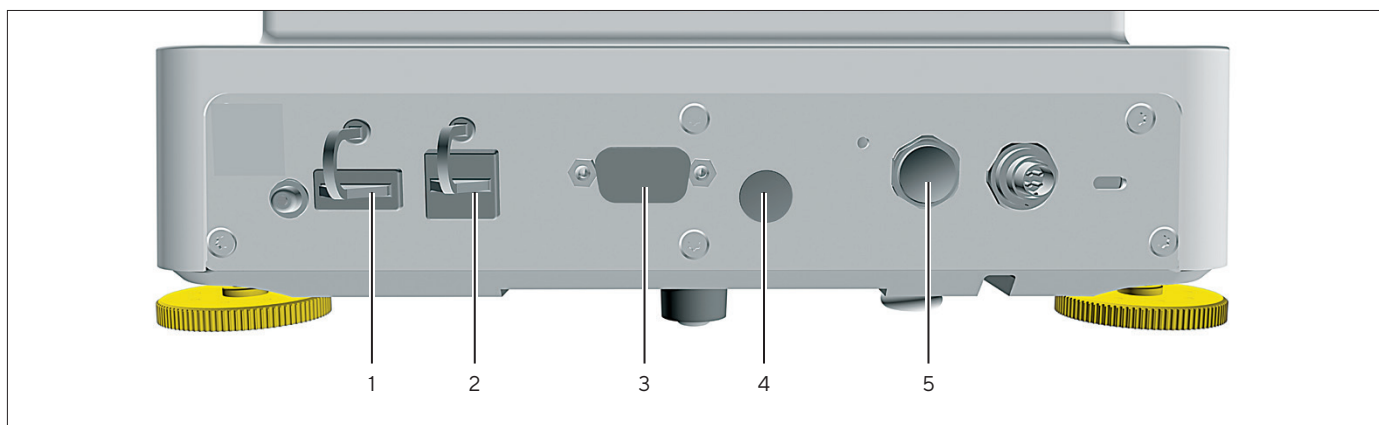


Fig.8: Protective caps on the weighing module of the analytical balance and precision balance

Pos.	Name	Description
1	Protective cap for USB-A connection	Plastic attachment hood, fastened to the device.
2	Protective cap for USB-B connection	Plastic attachment hood, fastened to the device.
3	Protective cap for COM-RS232 connection	Removable plastic sealing cap.
4	Protective cap for access switch	Removable plastic sealing cap.
5	Protective cap for peripheral connection	Removable plastic sealing cap.

3.7.2 Protective Caps on the Electronics Module

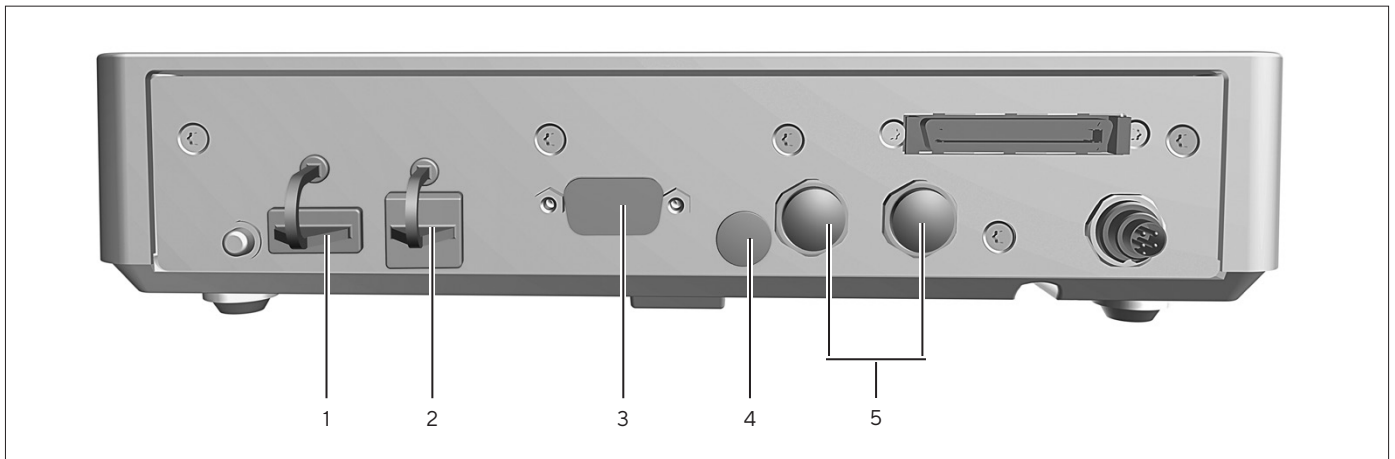


Fig. 9: Protective caps on the electronics module

Pos.	Name	Description
1	Protective cap for USB-A connection	Plastic attachment hood, fastened to the device.
2	Protective cap for USB-B connection	Plastic attachment hood, fastened to the device.
3	Protective cap for COM-RS232 connection	Removable plastic sealing cap.
4	Protective cap for access switch	Removable plastic sealing cap.
5	Protective caps for peripheral connections	Removable plastic sealing caps.

3.8 Conformity-assessed Devices

Some settings of conformity-assessed models are protected against user changes, e.g. “external calibration” for devices in accuracy class II. This measure is intended to ensure the suitability of the devices for use in legal metrology.

3.9 Symbols on the Device

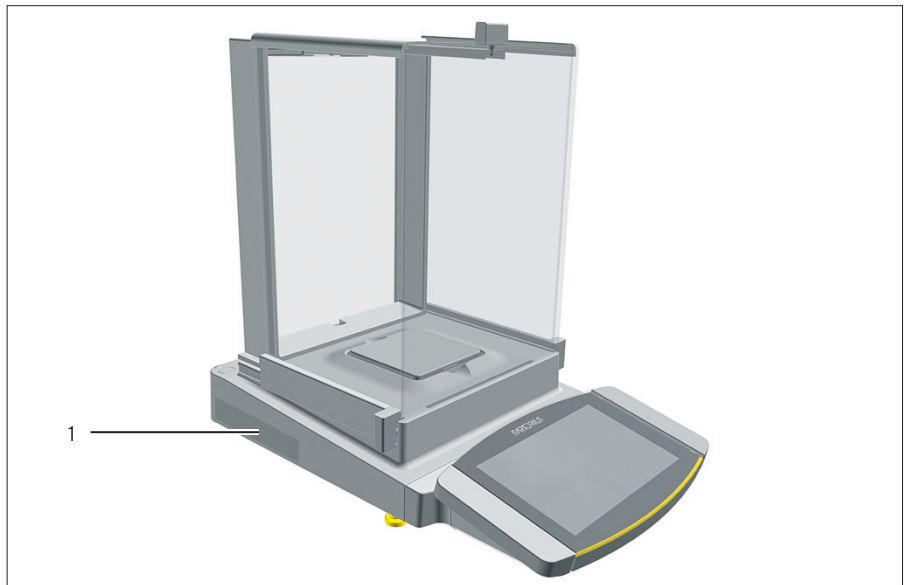



Fig.10: ID label on the device (example)

Pos.	Name	Description
1	Manufacturer's ID label	Displays the metrological data of the device. Conformity-assessed models only

Symbol	Meaning
	During operation, parts in the device may be live. Only electricians may have access to and work on these parts, such as for maintenance and repairs.

4 Operating Design

4.1 Operating Elements in the Main Menu

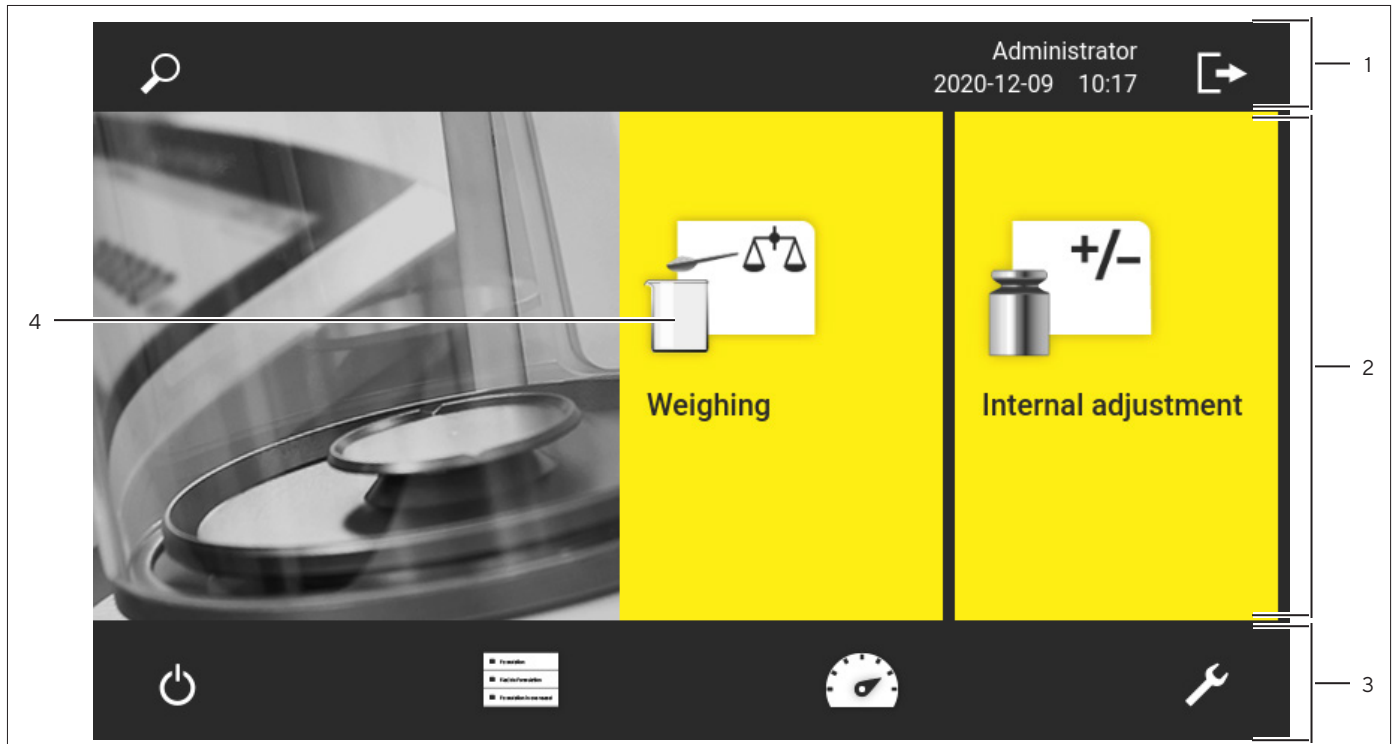


Fig. 1: Operating elements in the main menu (example)

Pos.	Name	Description
1	Navigation and function bar	<ul style="list-style-type: none"> - Enables navigation and searching in menus and lists. - In the "Settings" Menu: Displays the name of the menu.
2	Available tasks	Displays all tasks available for the active user.
3	Function bar	Displays available submenus and operating functions for the current display and current user.
4	Task	Starts the described task.

4.2 Operating Elements in Task Management

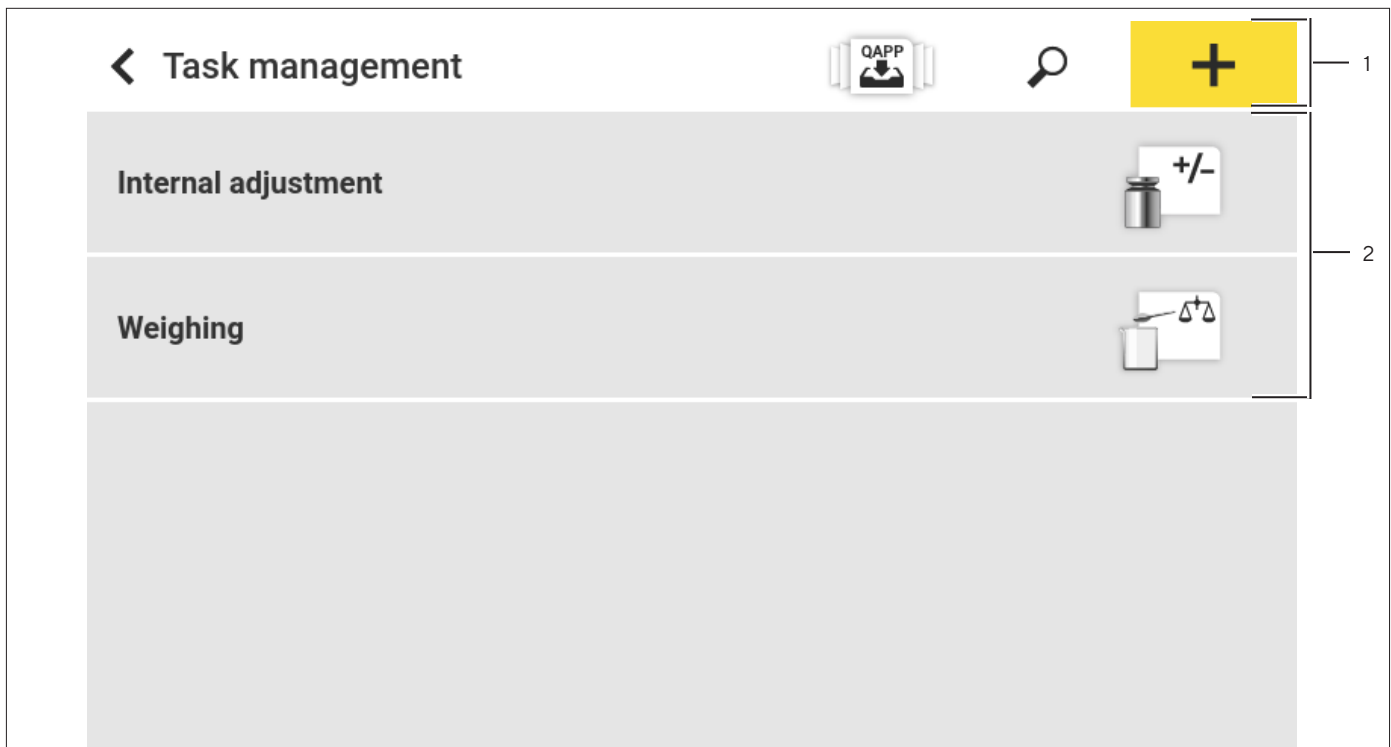


Fig.2: Operating elements in Task Management (example)

Pos.	Name	Description
1	Navigation and function bar	<ul style="list-style-type: none"> - Enables navigation and searching in menus and lists. - Enables the addition of tasks. - Opens the QAPP Center. - Displays the name of the menu.
2	Available tasks	<ul style="list-style-type: none"> - Displays all available tasks. - Opens a summary of the properties for the displayed task.

4.3 Operating Elements in the Weighing Display

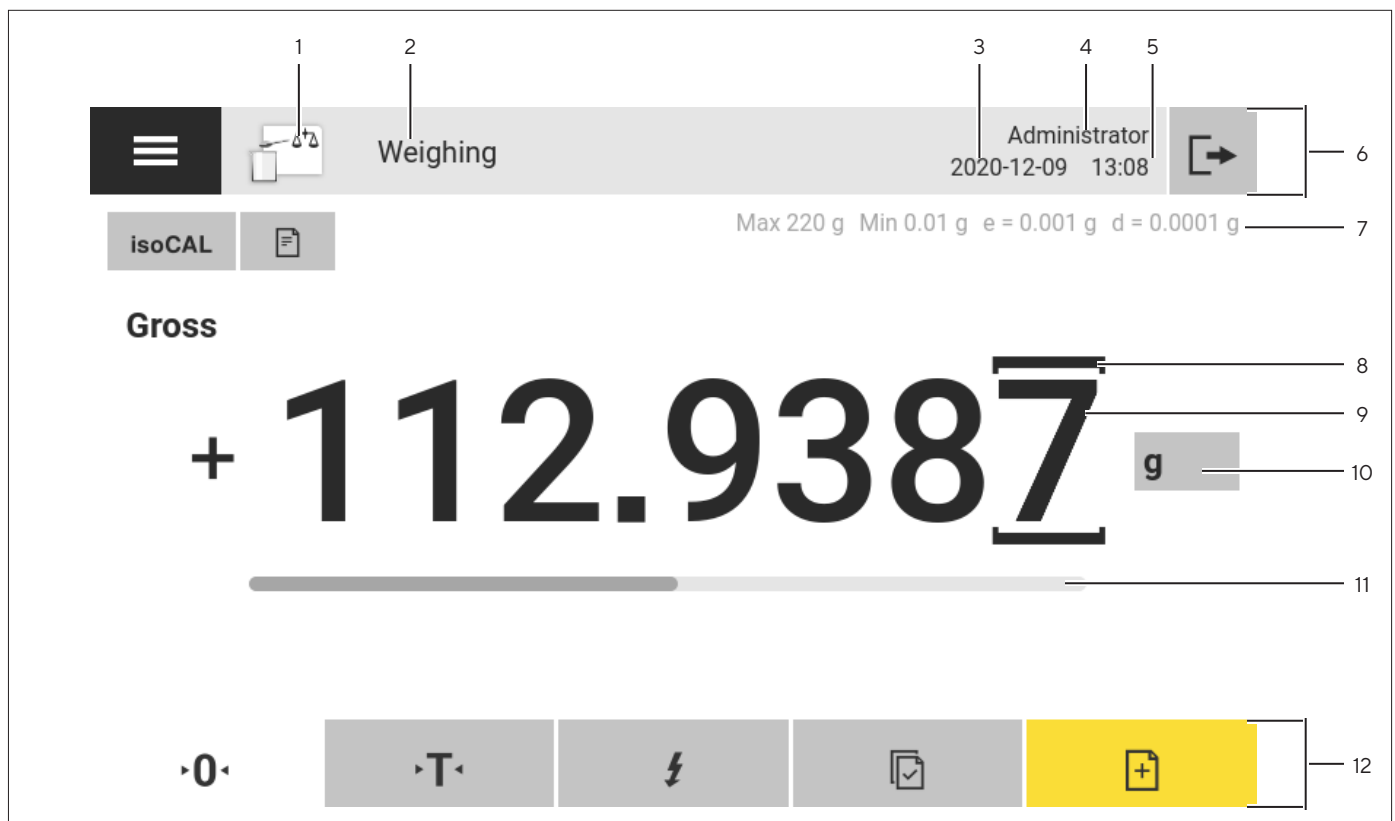


Fig.3: Weighing display (example)

Pos.	Name	Description
1	Application symbol	Displays the symbol for the active application.
2	Task name	Displays the name of the active task.
3	Date display	Displays the current date.
4	User name	Displays the name of the active user profile.
5	Time display	Displays the current time.
6	Navigation bar	Enables navigation in menus.
7	Metrological data	
8	Labeled points	Labels the differentiated points.
9	Weight value display	In the selected unit and resolution
10	Weighing unit	<ul style="list-style-type: none"> - Displays the selected unit, e.g. grams, [g]. - Enables the unit and resolution to be selected.
11	Bar graph	Displays the measured value as a percentage of weighing capacity utilization.
12	Function bar	Displays available operating functions for the current display.

4.4 Advanced Operator Guidance

Advanced applications have advanced operator guidance.

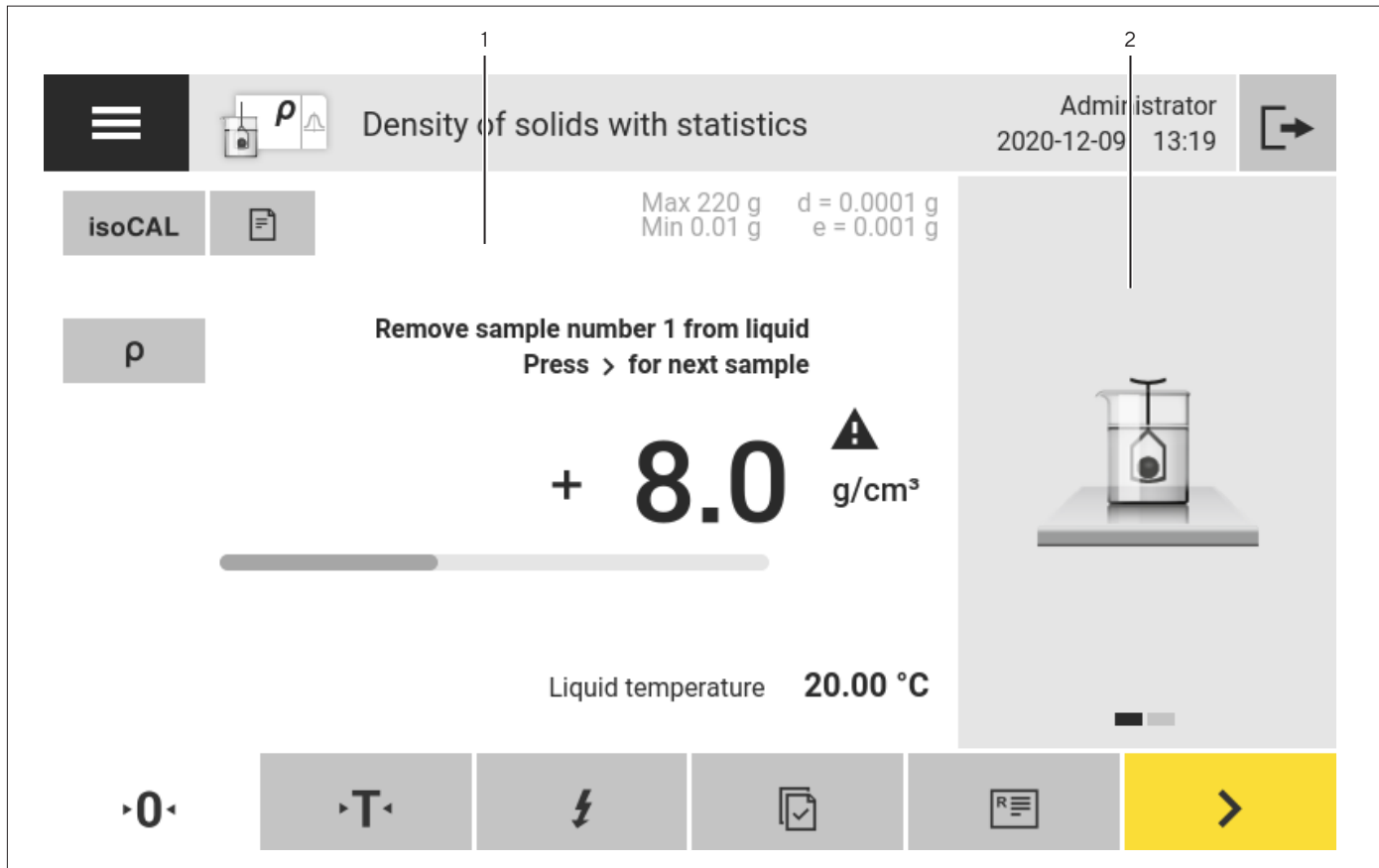


Fig.4: Advanced operator guidance (example)

Pos.	Name	Description
1	Weighing display with operator guidance	
2	Advanced operator guidance	<p>Guides the user through the active task. Includes 2 or 3 convertible displays depending on the selected application:</p> <ul style="list-style-type: none"> - First display: Shows the step currently being carried out as a graphic display. - Second display: Shows the current parameters for the task. - Third display, only for applications with statistics function: Represents statistical information as a bar chart.

4.5 Messages

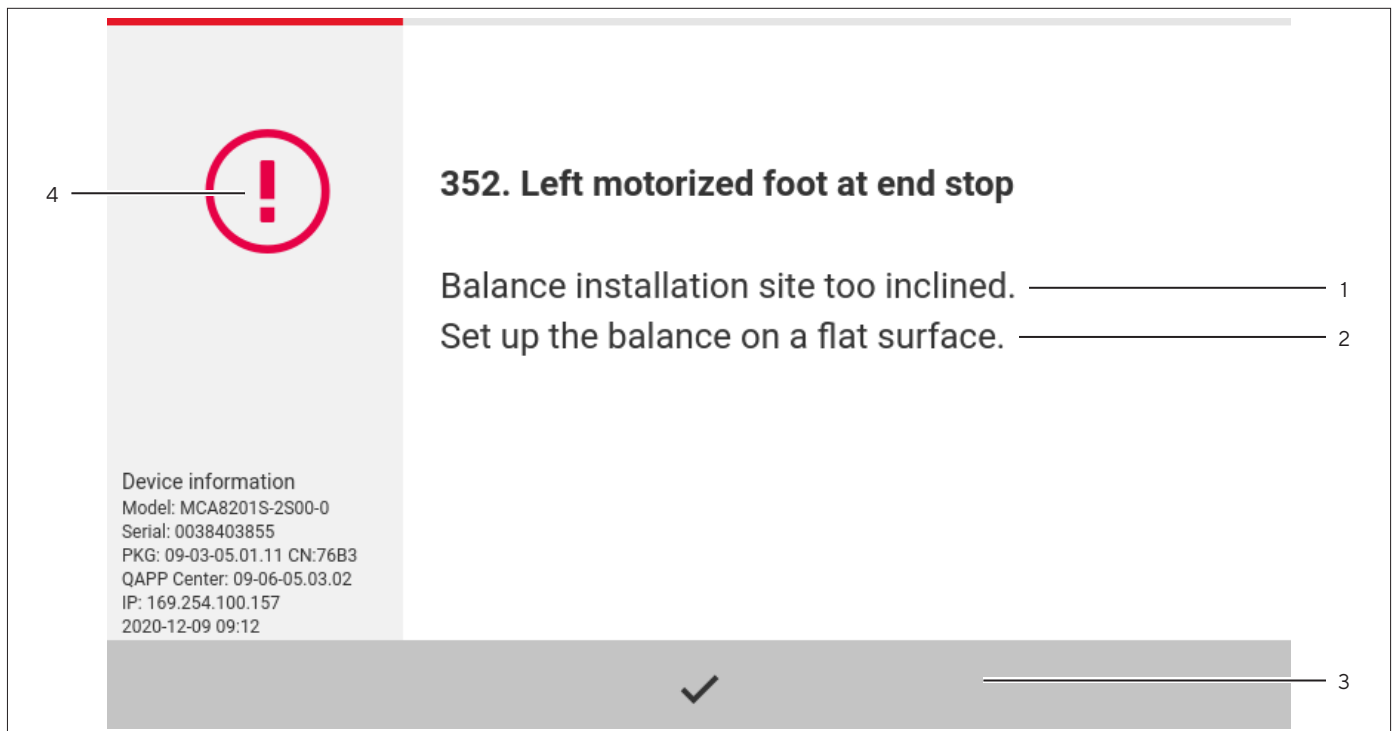


Fig. 5: Error message (example)

Pos.	Name	Description
1	Description	Specifies the cause.
2	Remedy	Specifies the measures necessary to eliminate the cause of the message.
3	Confirm	Confirms and closes the message.
4	Message type	Indicates that the message is a status message, warning message, or an error message.

4.6 Status Center

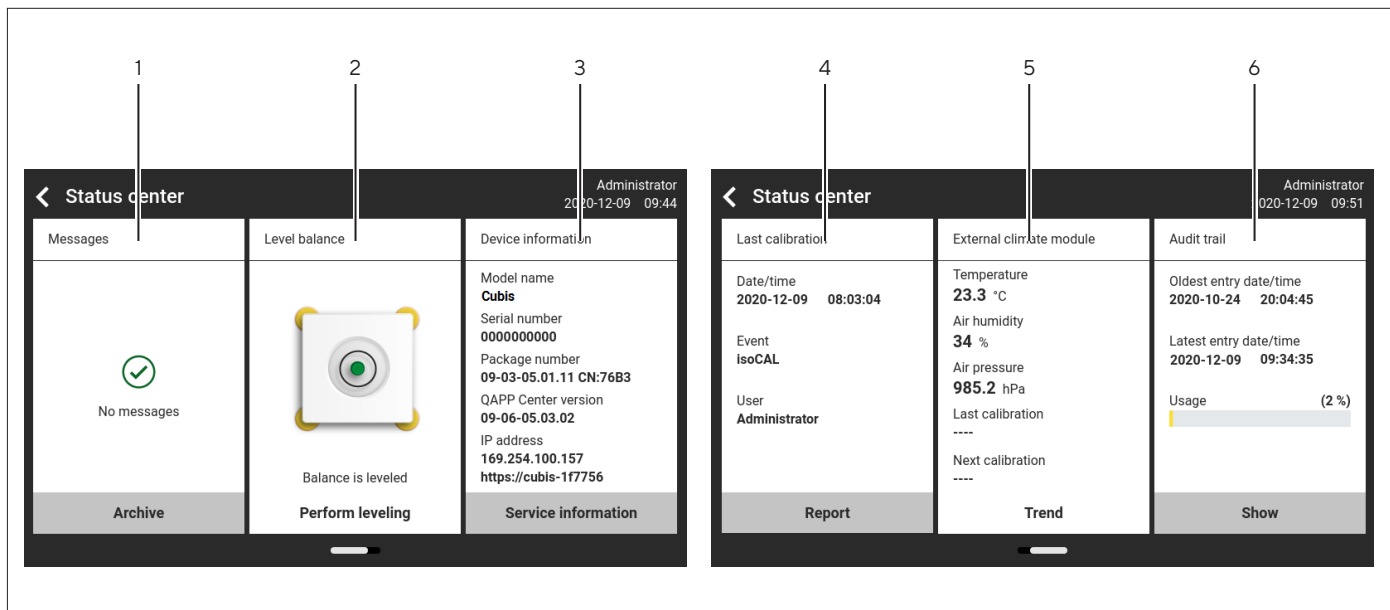


Fig. 6: Status Center (example)

Pos.	Name	Description
1	Messages	Displays information, warning, and error messages.
2	Leveling status	Displays the status of the level.
3	Status for the device	Displays the general device information.
4	Calibration and adjustment report	Displays the data for the last adjustment and calibration.
5	Climate data status	Displays the data from the optional climate module.
6	Audit trail	Displays the oldest and newest audit trail entry and the memory usage in percent.

4.7 Keypad

The keypad is used for entering values in entry fields. If an entry field is activated: The alphanumeric keypad or numerical keypad appears.

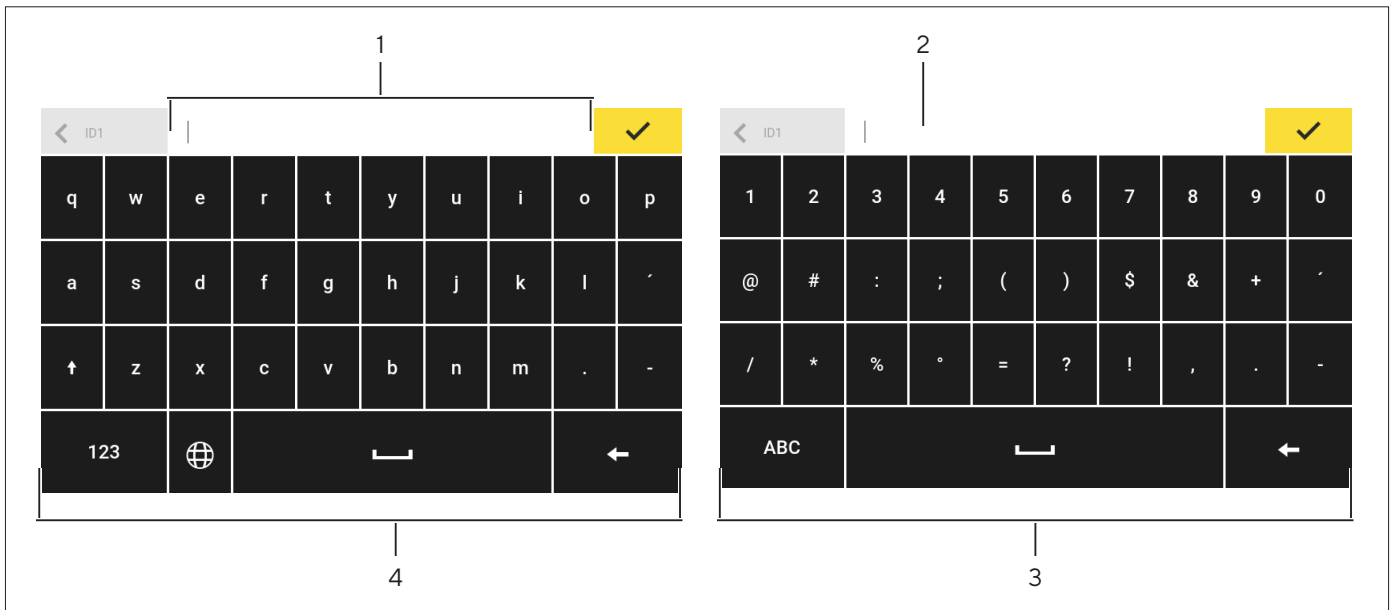


Fig. 7: Alphanumeric keypad and numerical keypad (example)

Pos.	Name	Description
1	Input field	
2	Input assistance	Indicates which values can be entered in the entry field, e.g. only numbers.
3	Numeric keypad	
4	Alphanumeric keypad	


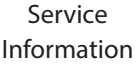

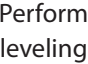







4.8 Status Display of the Buttons

Symbol	Name	Description
	Predominant button	Indicates that the function must be executed. The button is color-highlighted.
	Secondary button	Indicates that the function can be executed. The button is highlighted gray.
	Inactive button	Indicates that the function currently cannot be executed. The button is grayed out.






4.9 Buttons in the Operating Display












4.9.1 Buttons for Navigation or Organization in Displays

Symbol	Name	Description
	[Menu] button	Quits the active task and opens the main menu.
	[Back] button	<ul style="list-style-type: none"> - Returns to the previous display. - In the main menu: Accesses the last-performed task.
	[Search] button	Displays options for browsing tasks and list elements.
	[Filter] button	Displays options for filtering tasks and list elements.
	[Sort] button	Displays options for sorting tasks and list elements.
	[Standby] button	Switches the operating display to standby mode.
	[Task Management] button	Opens Task Management.
	[Status Center] button	Opens the Status Center.
	[Setup] button	Opens the "Settings" menu.
	[User Logout] button	Logs the currently active user out and accesses the login display.
	[User Login] button	Accesses the login display.
	[Next] button	Accesses the next display, e.g. the next processing step for a wizard.
	[Active Search] button	Displays an active search for tasks or list elements.
	[Active Filter] button	Displays an active filter for tasks or list elements.
	[Sort Ascending] button	Sorts tasks or list elements in ascending order.
	[Sort Descending] button	Sorts tasks or list elements in descending order.
	[10 Positions Forward] button	Jumps forwards 10 positions in tasks or list elements.




Symbol	Name	Description
	[10 Positions Right] button	Jumps 10 positions to the right in tasks or list elements.
	[Service Information] button	Opens the “Settings”/“Device Settings”/“Device Information”/“Service” menu.
	[Status Archive] button	Opens an overview of all status messages, warning messages, and error messages.
	[Leveling] button	Opens the Leveling Wizard.
	[Warning] button	Opens the list of current warning messages.
	[Error] button	Opens the list of current error messages.
	[Info] button	<ul style="list-style-type: none"> – Opens a display with additional information about the current menu. – In the Status Center: Opens the list of current status messages.
	[QAPP Center] button	Opens the QAPP Center.
	[Details] button	Shows additional information about an element.
	[Display Image] button	Displays available images or videos.
	[Close Menu] button	Closes the menu.

















4.9.2 Buttons for Editing or Managing Entries

Symbol	Name	Description
	[New] button	<ul style="list-style-type: none"> – In Task Management: Starts the wizard for creating a new task. – In Profile Management: Starts the wizard for creating a new weighing or print profile.
	[Activate QAPP] button	Opens the display for activating an application.
	[OK] button	Saves a selection or entry.
	[More] button	Shows the keypad for entering a user-defined value.
	[Select All] button	Selects all elements of a list.








Symbol	Name	Description
	[Deselect All] button	Deselects the selection for all elements of a list.
	[Cancel] button	<ul style="list-style-type: none"> - Cancels the current process without saving the changed settings or values. - In the display for editing the print memory: Marks the selected value as invalid.
	[Edit] button	Accesses the Adjustment Wizard for editing the displayed element, e.g. for setting the parameters for a task.
	[Delete] button	Deletes the selected element.
	[User Activated] button	Logs in a deactivated user.
	[User Deactivated] button	Logs out the currently logged-in user.
LICENSE	[License] button	Opens the entry field for the license key for activating a QAPP package or application.
	[Keypad] button	Shows the keypad.
	[Select Character Set] button	Switches over the keypad character set for the language version.
	[Show Preset Tare 1 Function] button	Shows the preset tare 1 function.
	[Hide Preset Tare 1 Function] button	Hides the preset tare 1 function.
	[Lock] button	Opens the entry field to change the password for the active user.

4.9.3 Buttons for Weighing, Printing, and Export Functions

Symbol	Name	Description
	[Leveling] button	Opens the Leveling Wizard.
isoCAL	[isoCAL] button	Starts the isoCAL function.
Prc	[Result] button	Toggles between the result and weight value display for the current application, e.g. weighing in percent.
	[Zero] button	Starts zeroing.
	[Tare] button	Starts taring.

Symbol	Name	Description
	[Tare 1] button	Stores the current weight value in the tare 1 memory.
Tare 1 0.00g	[Tare 1 Entry] button	Opens an entry field for manually entering the tare 1 value.
	[Delete Tare 1] button	Deletes the tare 1 memory.
	[Start] button	Starts the selected application.
	[Quit] button	Quits the active application and opens the Print Memory display.
	[Confirm] button	Confirms the current display and initializes the next step.
	[Save] button	Saves the weight value and sends it to the print memory.
	[Print memory] button	Opens the Print Memory display.
	[Print] button	If the Print Memory is displayed: Exports the saved print orders via the integrated data interfaces.
	[Connect] button	Checks the connection to a connected printer and prints a test page.
	[Connector] button	Checks the connection to the respective connector.
	[Ionizer] button	Only for semi-microbalances and analytical balances with integrated ionizers: Starts an ionization process.
g	[Unit change] button	<ul style="list-style-type: none"> - Toggles between the weight units and the resolution. - Accesses the "Unit change" function menu.
	[Restart] button	If an application is active: Deletes the saved values and restarts the application.
	[Report] button	If an application is active, e.g. density determination: Displays a report about the progress of the application.
	[Result report] button	If an application is active, e.g. density determination: Displays a report about the result of the application.
	[Export] button	<ul style="list-style-type: none"> - Creates files depending on the context. - Releases the exported files, e.g., PDF or HTML files, via a connector.
	[Help] button	Displays descriptions of the menu and parameter contents, e.g., weighing characteristics functions or printing concept.

4.10 Displays in the Operating Display

Symbol	Name	Description
	[Leveling] display	Indicates that the device is not leveled.
	[Print memory] display	Indicates that elements are located in the print memory.
g	[Unit symbol] display	Indicates the set weight unit, e.g. [g] for “grams”.
Gross	[Result] display	Indicates whether the weight value being displayed is a gross value or the result of an application.
	[Invalid weight value] display	<ul style="list-style-type: none"> - Together with the unit: The display shows the calculated weight value of an application, e.g. for the “Totalizing” application. The displayed weight value is less than the specified minimum initial weight. - For conformity-assessed devices without unit display: <ul style="list-style-type: none"> - Negative gross value - The device has not yet reached the necessary operating temperature to accurately determine the weight. - The device is not leveled. - The device requires the isoCAL function to be executed.
+ -	[Sign] display	Indicates whether the value being displayed is positive or negative.
	[Current page] display	<ul style="list-style-type: none"> - Indicates that the current display is a multi-page display. - Indicates which page of a multi-page display is being displayed currently.
	[Copy] button	Indicates that data are being copied.
	[Selection] display	Indicates that an entry is selected in a list.
	[Target value] display	Displays the target value in the bar graph display.

4.11 User Management

4.11.1 User Profiles

In the factory, four user profiles are created for the device. One role is assigned to each user profile. Each role has rights to operate the device. The rights assigned to each role depend on which device functions the user has to use. User profiles can be adapted.

Additional user profiles, roles, and rights may be activated in the QAPP Center.

4.11.2 User Login

The user must log in to the login display with a user profile. Various setting options and tasks are displayed in the operating display depending on the user profile and role.

4.12 Weighing and Print Profiles

Weighing and print profiles can be created. These profiles can be assigned to a task.

Preset profiles can be used in a task. The preset profiles can be adjusted individually to the application and saved in new profiles for weighing and printing.

4.13 Tasks and Applications

Device functions such as weighing or calibration and adjustment are carried out using tasks. Applications must be assigned to a task.

A task is visible to all users who are approved for this task.

The device is supplied with some freely accessible applications in the "Essentials" QAPP package which can be used to carry out the most important functions.

Additional applications can be unlocked via the QAPP Center for a fee.

4.14 Menu Structure

4.14.1 Main Menu

► Navigating in menus (see Chapter 4.15, page 41).

Level 1	Level 2	Level 3	Description
Task management			Displays all available tasks. Opens a summary of the properties for the displayed task.
	QAPP Center	QAPP package	<ul style="list-style-type: none"> - Lists the QAPPs contained in a QAPP package. - Displays the licensing status of the QAPPs. - Leads to the input screen for the licensing of the QAPP package.
Status Center			Display information on the device status, e.g. level status.
Settings	Device information		
	User management		
	Access Management		Only available if the "User Management" extension has been licensed in the QAPP Center.
	Timer-controlled actions		
	Weighing and Print Profiles		
	Connections		
	Device settings		
	Device Maintenance		

4.14.2 “Settings” Menu

Depending on the approved applications, the device may display additional menus.

► Navigating in menus (see Chapter 4.15, page 41).

Level 1	Level 2	Level 3	Description		
Device information	General device information	Manufacturer	Display information about the device’s manufacturer.		
		Model name	Display the device’s model name.		
		Serial number	Display the device’s serial number.		
		Package version	Display the version of the device firmware with check number.		
		QAPP Center Version	Display the version of the QAPP Center.		
		Balance version	Display the version no. of the balance.		
		Draft shield version	If available: Display the draft shield version.		
		MCU version	If available: Display the version of the device’s external hardware components.		
		Recovery version	Display the data and system no. of the device.		
		Service		Service contact	Display the responsible contact at Sartorius Service.
				Telephone number	Display the telephone number for Sartorius Service.
				E-mail	Display the e-mail address for Sartorius Service.
				Hotline	Display the technical hotline for Sartorius Service.
Contract	Display the responsible contact for maintenance measures.				
Last maintenance	Display the date for the last maintenance.				
Next maintenance	Display the date for the next maintenance.				
Warning time until next maintenance	Display the period until the next scheduled maintenance.				
Maintenance cycle	Display the maintenance cycle.				
Website	Display the website for Sartorius Service.				
	Device qualification	Display the qualification date.			
View data storage device		Display, sort, browse, or export the contents of the data storage device.			
View audit trail		If an audit trail license has been purchased: Display, sort, browse, or export the contents of the audit trail memory.			
Software licenses		Display the list of all open source software modules used.			

Level 1	Level 2	Level 3	Description
User management	4 standard user profiles		<p>Display or edit the standard user profiles: User name, description, role, language, user color profile, and login method.</p> <p>If the "User Management" extension has been configured in the QAPP Center: Display or edit additional user profiles, roles, and rules.</p>
Access management	Role management	Four user roles specified	If the "User Management" extension has been configured in the QAPP Center: Define the role names, description, and rights for the roles.
	Rules		If the "User Management" extension has been configured in the QAPP Center: Define the rules for failed attempts at password entry.
	Local password rules		If the "User Management" extension has been configured in the QAPP Center: Define the permissible characters, length, and validity time for the password.
	LDAP server configuration		If the "User Management" extension has been configured in the QAPP Center: Configure the data for device communication with an LDAP server.
Timer-controlled actions	Start task		Display, edit or delete properties for starting the task.
	Display message		Display, edit or delete the message name and content.
	Standby mode		Display, edit or delete execution of the action for standby mode.
	Wake-up from standby		Display, edit or delete the execution time and name for wake-up from standby.
	Switch-off		Display, edit, or delete the execution time for the action.
	Automatic backup		Display, edit, or delete the backup name and properties.
	Export audit trail		Display and select options for export.
Weighing and Print Profiles	Weighing	List of available weighing profiles	Display all available weighing profiles. Edit, create or delete the weighing profiles.
	YDP30	List of available print profiles	Display all available print profiles. Edit, create or delete the print profiles.
	PDF	PDF document on USB	Display all available print profiles. Edit, create or delete the print profiles.

Level 1	Level 2	Level 3	Description
Weighing and Print Profiles	CSV	Spreadsheet (CSV) on USB	Display all available print profiles. Edit, create or delete the print profiles.
	PC direct	PC direct (USB keyboard emulation)	Display all available PC direct profiles. Edit, create or delete the PC direct profiles.
	SBI direct	SBI print	Display all available SBI direct profiles. Edit, create or delete the SBI direct profiles.
Connections	Connectors	USB	Define the settings for the connected USB stick.
		YDP30-NET	Enter the IP host address and the parameters for the printer.
		FTP, FTPS	If this extension has been configured in the QAPP Center: The connection to the FTP or FTPS servers facilitates file transfer using the FTP or FTPS protocol.
		Network printer	Enter the IP host address and the protocol for the network printer.
		SMB	If the "Windows File Server" extension has been configured in the QAPP Center: The connection to a Windows file server facilitates file transfer using a Server Message Block (SMB protocol).
	Network	General settings	Define the device host name.
		Ethernet	Display and edit settings for the device's Ethernet connection.
		Wi-Fi	Display and edit settings for the device's Wi-Fi connection.
	Website web services	Website access	Determines the settings for the display of the website for the device.
		Remote access	Define the settings for controlling the device remotely.
		Web service password	Define the password for the web services.
	Certificates	Trusted certification authorities	Display and export the trusted certification authorities (CA).
		Device certificates	Display and export the device certificates.
		Trust unknown certification authorities	Specifies the security for unknown certification authorities.
	Interfaces	Serial communication over network	Display and edit the profile for the Ethernet connection.
COM-RS232 interface		Display and edit the profile for the RS232 connection.	
USB-B interface		Display and edit the profile for the USB-B connection.	

Level 1	Level 2	Level 3	Description	
Connections	SBI protocol	Format	Configure the settings for the data output and data output format.	
		Output	Define whether the output takes place with or without stability.	
		Automatic output	Activate or deactivate the output rate for automatic data output.	
		Display SBI error messages	Activates or deactivates the error messages for the SBI protocol.	
		Formatting output values	Defines the line length for the data output.	
	Climate modules	List of connected climate modules	Define the settings for the connected climate module.	
	Connected devices	Motion sensor		Define the number and functions of the gestures. Only available if a motion sensor is connected to the device.
			External USB keys	Triggers key functions for the device via an externally connected peripheral device, e.g. a keyboard or a foot switch.
	Device settings	Date and time	NTP configuration	Activate or deactivate time synchronization via NTP.
Set the date and time			Enter a date and time. Determine the time zone.	
Safe weighing		isoCAL execution mode	Set the isoCAL function.	
		Safety level	Set the alert level for the message indicating that the isoCAL function must be executed.	
Preload		Set preload	Sets a preload for technical equipment that needs to be constantly on the device. In this case the maximum capacity is reduced by the set preload.	
		Delete preload	Deletes the set preload.	
Calibration adjustment report		Automatic printout for isoCAL	Activates the data output for the isoCAL function.	
		Automatic printout for cal. adj. Task	Activates the data output for the calibration and adjustment function.	
		Print profile	Defines the output device on which a printout must be carried out.	

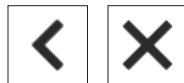
Level 1	Level 2	Level 3	Description
Device settings	minUSP	minUSP function	If this extension has been activated in the QAPP Center: Activate or deactivate the minimum initial weight.
		Starting point of operating range	If this extension has been activated in the QAPP Center: Define the starting point value.
		Mark weight values < minUSP as invalid	If this extension has been activated in the QAPP Center: Activates the identification of weight values that are less than the minimum initial weight.
	Measurement uncertainty	Various user entries	If this extension has been configured in the QAPP Center: Activates the dynamic display of the measurement uncertainty for the weight value.
	Device ID	Device ID 1-2	Determine the device identifier.
	Electronic signature	Sign report	If the QAPP extension has been activated: Activate or deactivate the electronic signature.
Draft shield		Left right palm key	Set the function of the left and right palm key. Only for devices with a motorized draft shield.
		Automatic mode	If the device is equipped with a motorized draft shield: Closes the draft shield, carries out the function, and opens the draft shield again.
Ionizer		Activation ionizer	If the device is equipped with an ionizer: Define the switch-on behavior for the ionizer.
		Intensity	If the device is equipped with an ionizer: Define the intensity of the ionization process.
		Start-up duration	Define the duration of the ionization process in seconds.
Start-up behavior		Initial zeroing taring	Activate or deactivate automatic zeroing and taring when starting the device.
		Automatic login	Activate or deactivate automatic log-in of the last user when starting the device.
		User identification service	Activates a user identification for the service.
		Automatic start of last task	Activate or deactivate automatic start of the last task when starting the device.

Level 1	Level 2	Level 3	Description
Device settings	Display settings	Display brightness	Define the brightness of the operating display.
		On off switch	Activate or deactivate the “energy saving” function.
		Color scheme	Define the settings for the operating display color scheme if this extension has been configured in the QAPP Center.
	Sound (loudspeaker)	Touch sounds	Activate or deactivate the acoustic signal when operating a button.
		Message sounds	Activate or deactivate the acoustic signal for messages.
		Sound for end-of-action	Activate or deactivate the acoustic signal for the end of an action.
Device Maintenance	Update firmware	List of connectors and then list of firmware	<ul style="list-style-type: none"> Starts a firmware update. Not for conformity-assessed devices.
	Install QAPP Center	List of connectors and then list of QAPP Centers	Updates the QAPP Center using the selected connector.
	Install customized QAPP	List of connectors and then list of customized QAPPs	Updates a customized QAPP using the selected connector.
	Device data backup	List of connectors	Saves the device data on the selected connector.
	Restore device data	List of connectors	Loads saved device data from the selected connector.
	Export device data	Role management	Saves device role management for an administrator, user, or guest on the selected connector.
		User management	Saves device user management for an administrator, user, or guest on the selected connector.
		Export overview	Displays the list of connectors, e.g., a server or connected USB stick.
	Import device data	List of connectors for import	Loads the device data with role and user management, e.g., from a server or connected USB stick.
	Reset to factory settings	Restore factory settings	<ul style="list-style-type: none"> Resets the device to factory settings and deletes all configurations. The audit trail and data memory will be retained.
Create diagnostic file		Save information about the device configuration and the ongoing operation on a connected USB stick.	

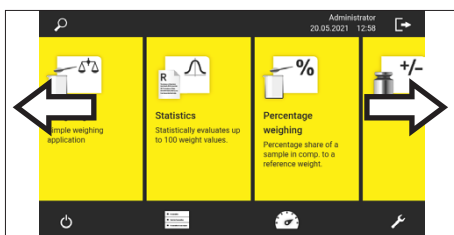
4.15 Navigating the Menus

Procedure

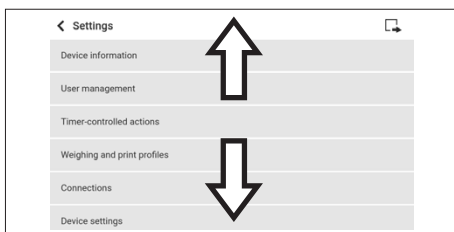
- ▶ To open a menu from the main menu: Tap on the desired menu button in the function bar.
- ▷ The menu opens and the name of the open menu is displayed in the navigation bar.
- ▶ To return to the main menu from other displays: Press the [Menu] button or press the [Back] button (multiple times) until the main menu is displayed.



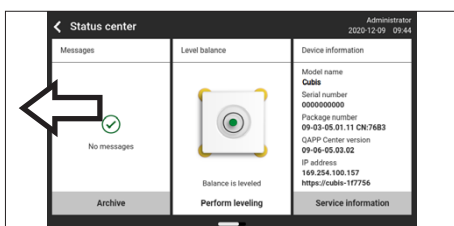
- ▶ To exit a display: Press the [Back] or [Cancel] button.



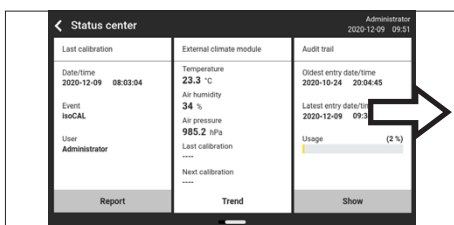
- ▶ To scroll through the tasks available in the main menu: Swipe the task bar to the left or right.



- ▶ To scroll through the list of options in an administration menu (settings, tasks, applications, ...): Swipe the list downwards or upwards.



- ▶ To display the next page in a display containing several pages, e.g. in the Status Center: Swipe the display to the left.



- ▶ To display the previous page in a display with several pages: Swipe the display to the right.



- ▶ If a value needs to be selected from a list:
 - ▶ Scroll to the desired value in the display. In order to do so, swipe the display upwards or downwards.
 - ▶ Press the desired value.
 - ▶ To confirm the selection: Press the [OK] button.
- ▷ The selected value is saved and the list closes.

- ▶ If elements from a display need to be filtered or a display needs to be browsed:

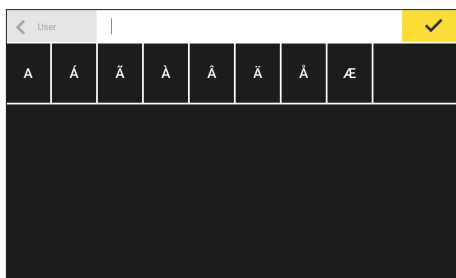
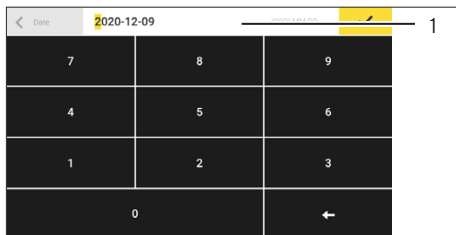
- ▶ Press the [Search] or [Filter] button.
- ▷ The keypad is displayed.
- ▶ Type the searched value or value to be filtered into the entry field (1) using the keypad.
- ▶ Press the [OK] button.

- ▶ To close the entry field for searching and filtering without starting a search or filter operation: Do **not** enter a value in the entry field or delete the entered value.

- ▶ Press the [OK] button.

- ▶ If language-specific characters need to be entered using the keypad:

- ▶ Press and hold a letter on the keypad.
- ▷ If language-specific characters are available for the letter being pressed: A display opens containing all the language-specific characters available for the letter being pressed.
- ▶ To select a language-specific character and return to the keypad display: Tap on the desired language-specific character.



5 Installation

5.1 Scope of Delivery

Item	Quantity
Device	1
Weighing pan	1
Shield plate	1
For models with pan support: Pan support	1
AC adapter	1
For models with a motorized draft shield: Palm-operated key	2
Country-specific power supply cable with test seal	1
USB connection cable	1
In-use dust cover for display and control unit	1
For models with analytical draft shield: Dust cover	1
For models without a draft shield: In-use dust cover for the weighing module	1
For semi-microbalances: Electronics module with power supply cable	1
For semi-microbalances: Connection cable for electronics module	1

5.2 Selecting an Installation Site


Procedure

- ▶ Make sure that the following conditions are met at the installation site:

Condition	Features
Ambient conditions	Suitability tested (see Chapter “15.3 Ambient Conditions”, page 107)
Setup surface	<p>Stable, even surface that is not exposed to vibrations</p> <p>Not directly against a wall</p> <p>Sufficiently dimensioned for the device and the peripheral devices (device space requirements see Chapter “15.1 Dimensions and Weight”, page 105; peripheral device space requirements see instructions for the peripheral devices, e.g. printer)</p> <p>Sufficient load-bearing capacity for the device and the peripheral devices even when full (device weight see Chapter “15.1 Dimensions and Weight”, page 105; weight of the peripheral devices see instructions for the peripheral devices, e.g. printer)</p>
Access	Barrier-free

5.3 Unpacking the Device

Procedure

- ▶ Lift the device with the styrofoam padding out of the packaging.
- ▶ Place the device in the styrofoam padding on its side.
- ▶ Lift the styrofoam padding off the device.
- ▶  **NOTICE** Glass breakage due to incorrect handling of the device!
Only lift the device by its base.
- ▶ Place the device on its base.
- ▶ Keep all parts of the original packaging, e.g. to return the device.

5.4 Removing the Display and Control Unit

5.4.1 Positioning the Display and Control Unit

The display and control unit can be removed. This enables the flexible setup of the display and control unit at the workplace.

Tool: 1 Torx Allen key, T20

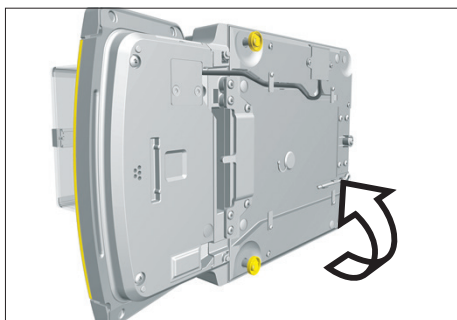
Material: 1 soft support base

Requirements

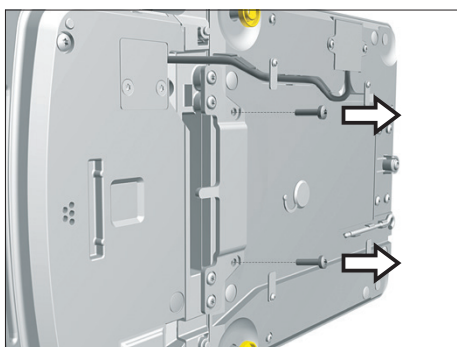
- The weighing pan and the associated components have **not** been set up.
- For a device with an analytical draft shield or flat glass draft shield:
The side panels and upper panel have **not** been fitted.

Procedure

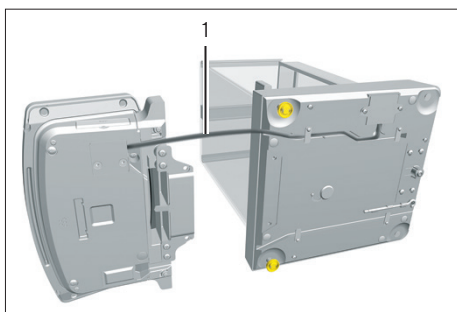
- ▶ Turn the device on its side and place it on the soft support base.



- ▶ To loosen the control unit's retainer: Use the Torx Allen key to remove both screws.
- ▶ Remove the control unit and re-insert both screws into the threaded holes.



- ▶ Pull the connection cable between the control unit and the weighing module (1) out of the control unit's retainer to the required length.



- ▶ Place the device back on the device base on a level surface.

5.5 Connecting the Ethernet Cable

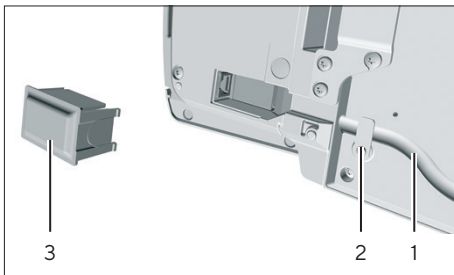
Material: 1 Ethernet cable
1 soft support base

Requirements

- The weighing pan and the associated components have **not** been set up.
- For a device with an analytical draft shield or flat glass draft shield:
The side panels and upper panel have **not** been fitted.

Procedure

- ▶ If the display and control unit is attached to the weighing module or electronics module: Turn over the device and place on a soft surface.
- ▶ If the display and control unit is removed from the weighing module or electronics module: Turn over the display and control unit and place on a soft surface.
- ▶ Remove the cover (3) of the Ethernet connection socket on the underside of the display and control unit.
- ▶ Plug the Ethernet cable into the Ethernet connection socket.
- ▶ If the display and control unit is attached to the weighing module or electronics module: Place the Ethernet cable into the cable channel (1) and turn the cable lock (2) using the Ethernet cable.
- ▶ If the display and control unit is removed from the weighing module or electronics module: Place the Ethernet cable in the cable channel.
- ▶ Place the device back on the device base on a level surface.



5.6 Preparing Below-balance Weighing

The device can be configured for below-balance weighing. Samples can be suspended for weighing using below-balance weighing, e.g. samples, which do **not** fit on the weighing pan.

For below-balance weighing, the hook must be installed in the device base and the device set up on a weighing table with recess.

M

In legal metrology:

- The below-balance weighing equipment may **not** be used.
- The cover of the below-balance weighing equipment may **not** be opened.

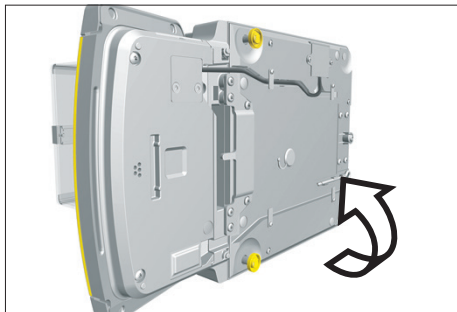
Material: 1 soft support base
1 draft protection shield
1 weighing table with recess

Requirements

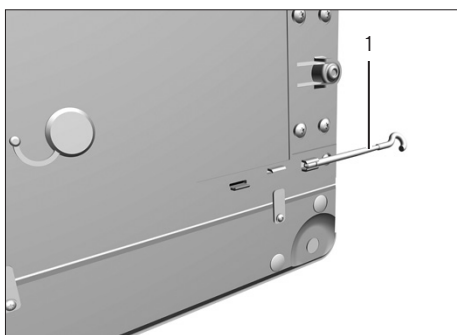
- The weighing pan and the associated components have **not** been set up.
- For a device with an analytical draft shield or flat glass draft shield:
The side panels and upper panel have **not** been fitted.

Procedure

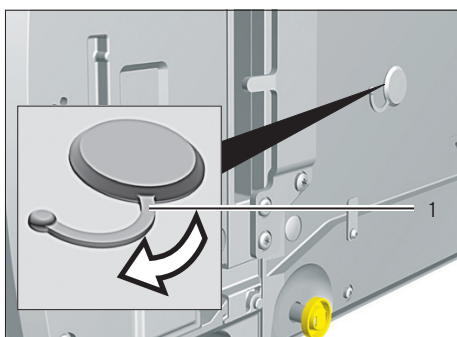
- ▶ Turn the device on its side and place it on the soft support base.



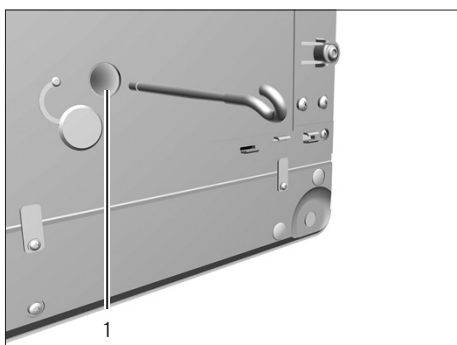
- ▶ Remove the hook for below-balance weighing (1) from the retainer on the underside of the base of the device.



- ▶ Pull the cover of the below-balance weighing equipment (1) out.



- ▶ **NOTICE** Damage to the device from cross-threading! Ensure that the hook for below-balance weighing is inserted straight into the thread (1).



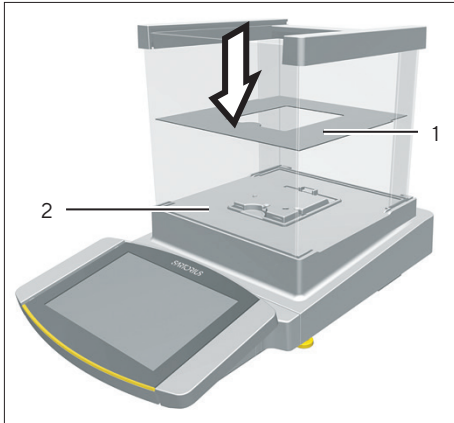
- ▶ Set up the device on the weighing table with recess.
The hook for below-balance weighing may **not** touch the floor.
- ▶ Install the draft protection shield.

5.7 Installing a Device with an Analytical Draft Shield or Flat Glass Draft Shield

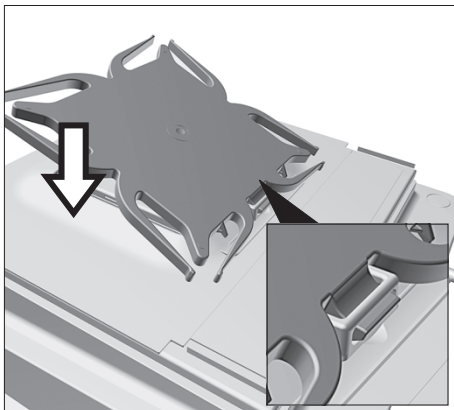
5.7.1 Positioning the Weighing Pan and Associated Components

Procedure

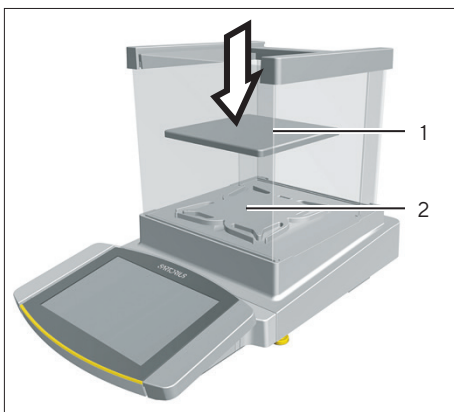
- ▶ If this relates to a device with a pan support:
 - ▶ Place the shield plate (1) on the base of the weighing chamber (2).

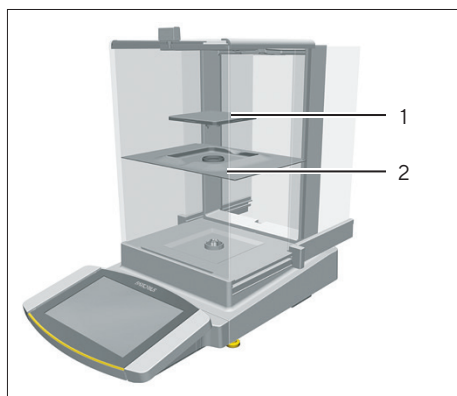


- ▶ Hook the pin on the pan support into the clip on the pan retainer.
- ▶ Push the pan support down onto the pan retainer until the pan support lies parallel to the device housing.



- ▶ Place the weighing pan (1) onto the pan support (2).

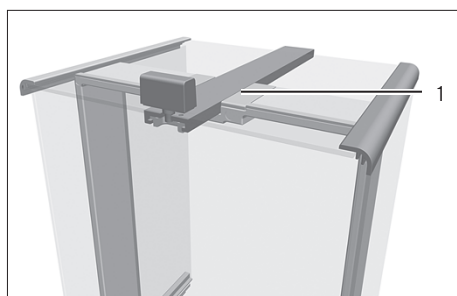




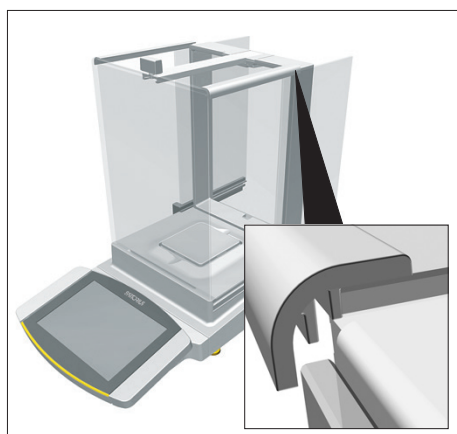
- ▶ If this relates to a device without a pan support:
 - ▶ Place the shield plate (2) into the weighing chamber.
 - ▶ Place the weighing pan (1) into the recess in the shield plate.

5.7.2 Installing the Analytical Draft Shield

Procedure



- ▶ Slide the upper panel into the guide rail (1).
- ▶ Gently push the upper panel down. This enables the upper panel to slide completely.
- ▶ Slide the upper panel completely into the guide rail.

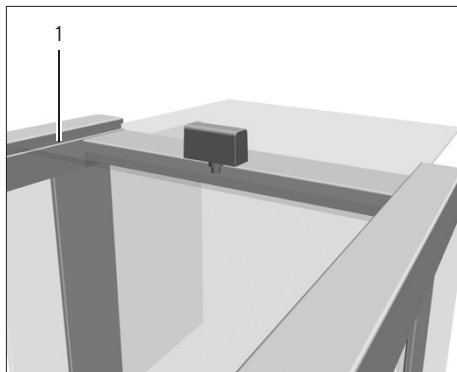


- ▶ Insert the side panels completely into the guide rails.

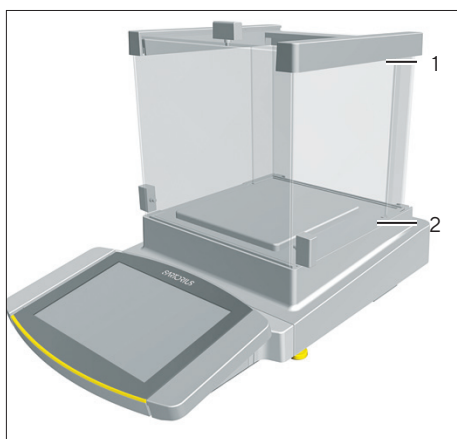
5.7.3 Installing the Flat Glass Draft Shield

Procedure

- ▶ Gently tilt the upper panel down. This enables the upper panel to slide completely into the slot (1).
- ▶ Slide the upper panel completely into the slot.



- ▶ Insert the side panel completely into the guide rails on the weighing module (2) and into the upper guide rails (1).

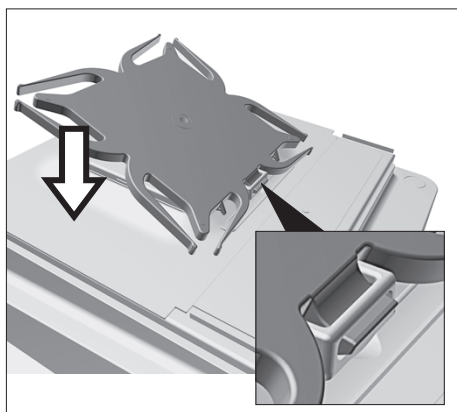


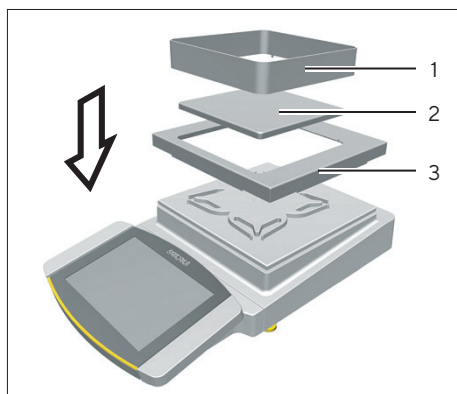
5.8 Installing a Device with a Frame Draft Shield

5.8.1 Positioning the Weighing Pan and Associated Components

Procedure

- ▶ Insert the pin on the pan support into the clip on the pan retainer.
- ▶ Push the pan support down onto the pan retainer until the pan support lies parallel to the device housing.

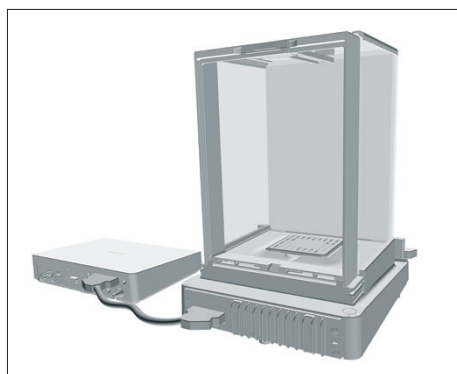




- ▶ Place the shield plate (3) on the device housing.
- ▶ Place the weighing pan (2) on the pan support.
- ▶ Place the frame draft shield (1) on the shield plate (3).

5.9 Connecting the Electronics Module (Only for Semi-microbalance)

Procedure

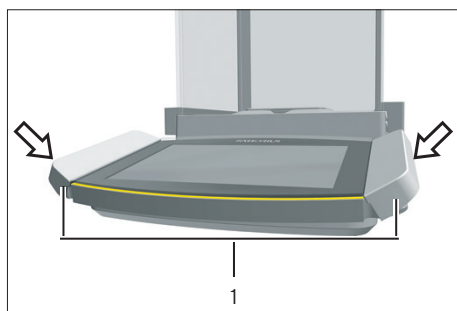


- ▶ Connect the connection cable to the electronics module's weighing module connection.
- ▶ Connect the other end of the connection cable to the weighing module's electronics module connection.
- ▶ To lock the connection cable: Lock the plugs of the connection cable onto both connections with two clicks in each case.
- ▶ **NOTICE** Damage to the device due to incorrect connection!
 - ▶ Check the correct fit of the plug contacts.
 - ▶ There should be **no** tension on the connection cable, e.g. do **not** install directly against a wall.

5.10 Installing Palm-operable Keys (Only for Devices with Motorized Draft Shield)

For models with a motorized draft shield, 2 palm-operable keys can be installed.

Procedure



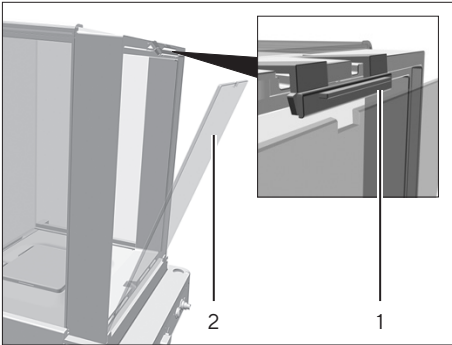
- ▶ Affix both palm-operable keys (1) onto the side of the display and control unit.

5.11 Setting Up the Cable Entry (Only for Devices with a Manual Analytical Draft Shield)

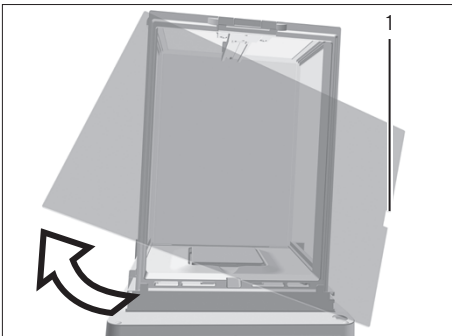
For models with a manual analytical draft shield, a cable can be fed into the weighing chamber, e.g. when using a temperature sensor.

Procedure

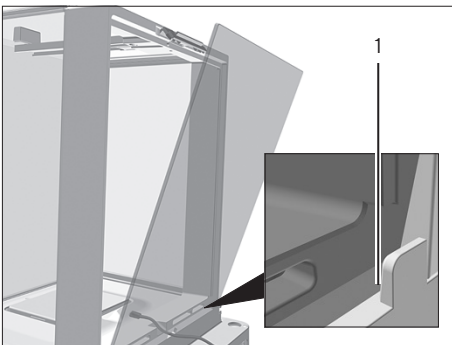
- ▶ Lift the locking tab (1) on the rear panel of the device.
- ▶ Lift the panel (2) out of the device.



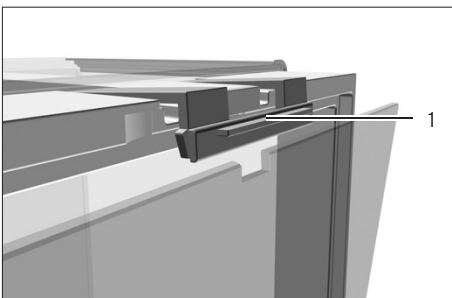
- ▶ Rotate the panel 180° so that the recess (1) in the panel points towards the weighing module.



- ▶ Feed the connection cable into the weighing chamber.
- ▶ Insert the panel into the guide groove (1).



- ▶ Lift the locking tab (1) on the rear panel of the device and push down the panel.
- ▶ Press the locking tab down and close it.



5.12 Acclimatization

When a cold device is brought into a warmer area: The temperature difference can lead to condensation of humidity in the device (moisture formation). Moisture in the device can lead to malfunctions.

- ▶ Allow the device to acclimatize for approx. 2 hours at the installation site. Ensure that the device is disconnected from the power supply during that time.

6 Getting Started

Procedure

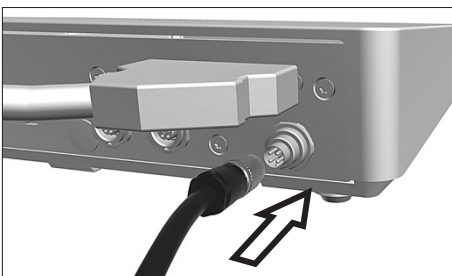
- ▶ **NOTICE** Improper connection may damage the device! If the device is connected using electronic components, e.g. printer, PC: The device must be disconnected from the power supply. Ensure that the device is disconnected from the power supply.
- ▶ Connect the device using electronic components (see electronic components instructions).

6.1 Installing the AC Adapter

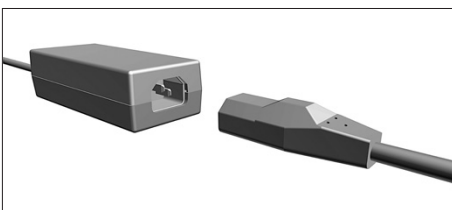
Procedure



- ▶ If this relates to a device without an electronics module: Plug the DC supply cable of the AC adapter into the device's "power supply" connection socket and tighten the threaded fitting.



- ▶ If this relates to a device with an electronics module: Plug the DC supply cable of the AC adapter into the electronics module's "power supply" connection socket and tighten the threaded fitting.



- ▶ Connect the power supply cable to the AC adapter connection.

6.2 Connecting the Power Supply

Procedure

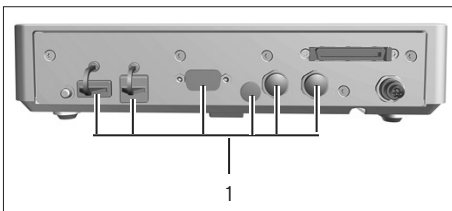
- ▶ **⚠ WARNING** Severe injuries caused by using a defective power supply cable! Check the power supply cable for damage, e.g., cracks in the insulation.
 - ▶ If required: Contact Sartorius Service.
- ▶ Check whether the country-specific power plug matches the power connections at the installation site.
 - ▶ If required: Contact Sartorius Service.
- ▶ **NOTICE** Damage to the device due to excessive input voltage! Check whether the voltage specifications on the AC adapter match those of the power supply at the installation site.
 - ▶ If the input voltage is too high: Do **not** connect the device to the power supply.
 - ▶ Contact Sartorius Service.
- ▶ Connect the mains plug of the power supply cable to the wall outlet at the installation site.
- ▷ The [Booting device...] display appears in the operating display.
- ▷ The [Starting system...] display appears in the operating display.
- ▷ The [Starting application...] display appears in the operating display.
- ▷ The [Loading] display appears in the operating display.
- ▷ The device performs an initial tare function.

6.3 Attaching the Protective Caps

If connections of the device are **not** being used during operation:
The connections must be sealed with the protective caps supplied.

Procedure

- ▶ Check whether all unused connections have been sealed with a protective cap.
- ▶ Place the protective caps (1) for the electrical connections on the unused connections.



7 System Settings

7.1 Performing System Settings

Default settings can be adjusted for the device and the applications in order to align with the ambient conditions and individual operating requirements.

The following settings are necessary to operate the device together with connected components:

- Set up the communication of the connected devices
- Set up additional components

The following settings are recommended to set up the device:

- Set the menu language
- Select date | time format
- Setting the date, time, and time zone
- Assigning a password
- Set the behavior of the isoCAL function
- Set the behavior of the motorized draft shield (only for devices with a motorized draft shield)

Procedure

- ▶ Open the main menu.
- ▶ Press the [Setup] button.
- ▶ To adjust settings: Open the desired submenu.
- ▶ Select the desired configuration value (configuration values, see Chapter "7.7 Parameter List", page 61).
- ▶ Exit the menu.

7.2 Switching Off the isoCAL Function

M

If the isoCAL function is switched off for a conformity-assessed device: The device can only be used for legal-for-trade applications in restricted temperature ranges (see Chapter "15.3.2 Ambient Temperature for the isoCAL Function", page 108). The isoCAL function **cannot** be switched off for all model versions.

Procedure

- ▶ In the "Settings / Device Settings / Safe Weighing / isoCAL Execution Mode" menu, for the "isoCAL function" parameter, select the "Off" configuration value.

7.3 Assigning a Password

Procedure

- ▶ Log into the device using the user profile for which a password needs to be assigned.
- ▶ Open the “Settings/User Management” menu.
- ▶ Press the [Lock] button.
- ▷ The user password input field is displayed.
- ▶ Enter the desired password in the entry field and confirm with the [OK] button.

7.4 Opening the Help Function

Help texts can be called up for the following submenus during the system settings:

- User management
- Printing concept
- Network connection
- Weighing characteristics and weighing function
- Timer-controlled actions

The help functions have a full text search and are equipped with links.

Procedure

- ▶ Open the “Settings/User Management” menu.
- ▶ Press the [Help] button.
- ▷ The help texts are displayed, e.g., for the “User management”.
- ▶ Change the structure: Press the [Info] button.
- ▶ Export the help text as a PDF file: Press the [Export] button.

7.5 Setting Up Device for Network Printer

7.5.1 Selecting Configuration for Network Printing

Two configurations are possible:

- The device and the network printer communicate via an independent Wi-Fi network with standard Wi-Fi components. No security guidelines or network settings need to be taken into consideration here. This configuration is recommended if no other network functions are being used and simple printing is enough.

- The device communicates with a company network via Wi-Fi. The network printer is connected to the company network. All the device's network functions can be used in the entire company network. This configuration has 2 restrictions:
 - The company network must have a DHCP server.
 - Login via Wi-Fi only supports standard authentication methods and no special security guidelines. This connection **cannot** be used in company networks that require special security guidelines.

Procedure

- ▶ Check which configuration is suitable for network printing.

7.5.2 Setting Up Device for Network Printer via Independent Wi-Fi Network

Requirements

- The device administrator or service rights are activated via user management.
- The network printer is connected to a Wi-Fi router.

Procedure

- ▶ Check the suitability of the Wi-Fi router and Wi-Fi stick (for suitability, see Chapter "16.1.1 Printers and Communication", page 118).
- ▶ Insert the Wi-Fi stick into the device in a USB connection.
- ▶ Open the "Settings/Connections/Network/Wi-Fi" menu.
- ▶ Press the [Edit] button.
- ▶ Enter the service set identifier for the router under "Wi-Fi SSID". The service set identifier is specified on the back of the Wi-Fi router.
- ▶ Enter the router password under "Wi-Fi password". The password is specified on the back of the Wi-Fi router.
- ▶ Press the [Back] button.
- ▶ The status "Ready" appears in the "Wi-Fi" overview display within 10 seconds.

Creating a Network Printer

Procedure

- ▶ Open the "Settings/Connections/Connectors/YDP30-NET" menu.
- ▶ Press the [New] button.
- ▶ Enter a name for the network printer under "Connector name", e.g., printer YDP30-NET.
- ▶ Enter the network printer IP address under "IP or host". The IP address is specified in the network printer "Network Settings" printout.
- ▶ Confirm the entries. In order to do so, press the [OK] button.

7.5.3 Setting Up Device for Network Printer via Company Network

Requirements

- The device administrator or service rights are activated via user management.
- The company network has a DHCP server.
- The network printer is connected to the company network.

Procedure

- ▶ Open the “Settings/Connections/Network/Wi-Fi” menu.
- ▶ Press the [Edit] button.
- ▶ Enter the service set identifier for the company network under “Wi-Fi SSID”. The service set identifier is available from the company network administrator.
- ▶ Enter the company network password under “Wi-Fi password”. The password is available from the company network administrator.
- ▶ Press the [Back] button.
- ▷ The status “Ready” appears in the “Wi-Fi” overview display within 10 seconds.

Creating a Network Printer

Procedure

- ▶ Open the “Settings/Connections/Connectors/YDP30-NET” menu.
- ▶ Press the [New] button.
- ▶ Enter a name for the network printer under “Connector name”, e.g., printer YDP30-NET.
- ▶ Enter the network printer “HOST NAME” under “IP or host”. The HOST NAME is specified in the network printer “Network Settings” printout.
- ▶ If connection with the host name is delayed: Enter the network printer IP address under “IP or host”. The IP address is specified in the network printer “Network Settings” printout.
- ▶ Confirm the entries. In order to do so, press the [OK] button.
- ▶ If the IP address changes depending on the DHCP network settings: Enter the new IP address of the network printer again.

7.5.4 Configuring Print Profiles

Procedure

- ▶ Open the “Settings/Weighing and Print Profile/YDP30” menu.
- ▶ Edit a pre-configured print profile or create a new print profile by pressing the [New] button, e.g., network printer YDP30-NET.
- ▶ Follow the wizard’s instructions in the operating display for more settings.
- ▶ Confirm the entries. In order to do so, press the [OK] button.
- ▶ Add the created print profile to a task (see Chapter “8.6 Adding Weighing and Print Profiles to a Task”, page 88).

7.6 Descriptions of Interface Protocols and Website Certificates

The descriptions of the following interface protocols are available as PDF files in English and German:

- SBI protocol
- SICS protocol
- miniSICS protocol

A description on installation for a website certificate is available as a PDF file in English entitled “Installation Instructions for Website Certificate”.

These PDF files are available to download under “Cubis® II MCA Firmware” via the Sartorius website www.sartorius.com.

7.7 Parameter List

7.7.1 Parameters in the “User Management” Menu

Parameter	Setting Values	Explanation
User name	User input	Assign a name for the user profile.
User description	User input	Enter a description for the user profile.
Role	Administrator	If the QAPP extension “User Management” has been activated: Activates the administrator functions.
	User*	If the QAPP extension “User Management” has been activated: Activates the user functions.
	Guest	If the QAPP extension “User Management” has been activated: Displays the guest functions. Activates the guest via the [User Activated] button.
Language		Set the language for the user profile.
User color profile	Sartorius Standard*	If the QAPP extension “Color Scheme” has been activated: Define a user color for the user profile.
Login method		Determine whether the user password is saved locally on the device or provided by an LDAP network server.
* Factory setting		

7.7.2 Parameters in the “Access Management” Menu

Parameter	Setting Values	Explanation
Role management	Administrator	If the QAPP extension “User Management” has been activated: Define the role names, description, and rights for the administrator.
	User	If the QAPP extension “User Management” has been activated: Define the role names, description, and rights for the user.
	Guest	If the QAPP extension “User Management” has been activated: Define the role names, description, and rights for the guest.
Rules	Autom. logout after inactivity	If the QAPP extension “User Management” has been activated: Switches the device into standby mode after the selected time.
	Maximum retries	If the QAPP extension “User Management” has been activated: Define the number of maximum failed attempts for password entry.
	After maximum failed password entries	If the QAPP extension “User Management” has been activated: Activates the action after failed attempts at entering the password.
Local password rules		If the QAPP extension “User Management” has been activated: Define the permissible characters, length, and validity time for the password.
LDAP server configuration		If the QAPP extension “User Management” has been activated: Configure the data for device communication with an LDAP server.

7.7.3 Parameters in the “Timer-controlled Actions” Menu

Parameter	Setting Values	Explanation
Start task	Execution date	Activates the date and time for starting the task.
	Repeat period	Repeats in minutes, hours, days, months, or years.
	Name	Saves a name for the timer-controlled action.
	Action execution	Sets the action execution to cancelable or not cancelable.
	Task to start	Activates the desired task.
Display message	Execution date	Activates the date and time for displaying the message.
	Repeat period	Repeats in minutes, hours, days, months, or years.
	Name	Saves a name for the message.
	Message title	Saves a message title.
	Message content	Saves message content.
Standby mode	Execution date	Activates the date and time for standby mode.
	Repeat period	Repeats in minutes, hours, days, months, or years.
	Name	Saves a name for standby mode.
	Action execution	Sets the action execution to cancelable or not cancelable.
Wake-up from standby	Execution date	Activates the date and time for execution.
	Repeat period	Repeats in minutes, hours, days, months, or years.
	Name	Saves a name for wake-up from standby.
Switch-off	Execution date	Activates the date and time for switch-off.
	Repeat period	Repeats in minutes, hours, days, months, or years.
	Name	Saves a name for switch-off.
	Action execution	Sets the action execution to cancelable or not cancelable.
Automatic backup	Execution date	Activates the date and time for automatic backup.
	Repeat period	Repeats in minutes, hours, days, months, or years.
	Name	Saves a name for automatic backup.
	Action execution	Sets the action execution to cancelable or not cancelable.
	Backup to connector	Activates the desired connector, e.g., a USB stick.
Export audit trail	Execution date	Activates the date and time for exporting the audit trail.
	Repeat period	Repeats in minutes, hours, days, months, or years.
	Name	Saves a name for the audit trail export.
	Action execution	Sets the action execution to cancelable or not cancelable.
	Export to connector	Activates the desired connector for the export, e.g., a USB stick.
	Modules for export	Activates the respective module to be saved, e.g., audit trail, menu settings, etc.

7.7.4 Parameters in the “Weighing and Print Profiles/Weighing” Menu

Parameter	Setting Values	Explanation
Ambient conditions	Very stable	Sets the ambient conditions to “very stable”: Activates a fast change in the weight values in the event of a load change with a high output rate. Recommended for the following work environment: <ul style="list-style-type: none"> - Very stable table near the wall - Closed and calm room
	Stable	Sets the ambient conditions to “stable”. Recommended for the following work environment: <ul style="list-style-type: none"> - Stable table - Slight movement in the room - Slight draft
	Unstable*	Sets the ambient conditions to “unstable”: Activates the delayed change in weight values with a reduced output rate. Recommended for the following work environment: <ul style="list-style-type: none"> - Simple office desk - Room with moving machinery or personnel - Slight air movement
	Very unstable	Sets the ambient conditions to “very unstable”: Activates a significantly delayed change in the weight values and long wait for stability with a further reduction in the output rate. Recommended for the following work environment: <ul style="list-style-type: none"> - Noticeable and slow floor vibrations - Noticeable building vibrations - Weighed goods moved - Very strong air movements
Application filter	Weighing (final readout)*	Activates a filter that enables a fast change in the display for very fast load changes. Display changes with minimal load changes (in the digit range) occur more slowly.
	Dosing (filling mode)	Activates a filter that enables a very fast change in the display with minimal load changes (e.g. when dosing or filling vessels).
	Sensor mode (low filter)	Activates a weak but fast filter that always behaves in the same way for load changes (e.g. when dosing in automated systems).
	Dynamic mode (without filter)	Deactivates the active application filter.

* Factory setting for the “Standard Weighing” factory-set weighing profile

Parameter	Setting Values	Explanation
Stability	Very high accuracy	Sets the stability to "very high accuracy".
	High accuracy	Sets the stability to "high accuracy".
	Medium accuracy*	Sets the stability to "medium accuracy".
	Fast	Sets the stability to "fast".
	Very fast	Sets the stability to "very fast".
	Very slow	Sets the stability to "very slow".
Stability delay	Very short	Sets the stability delay to "very short": The stability symbol is displayed after the stability criterion is reached.
	Short*	Sets the stability delay to "short": The stability symbol only appears after a short delay in order to provide a reliable result despite fluctuations.
	Medium	Sets the stability delay to "medium": The stability symbol only appears after a longer delay in order to provide a reliable result in case of higher fluctuations.
	Long	Sets the stability delay to "long": The stability symbol only appears after a long delay in order to balance out major instability.
Zeroing / taring	Without stability	Without stability: The function of the [Zero] or [Tare] key is executed immediately once the key is pressed.
	After stability*	After stability: The function of the [Zero] or [Tare] key is only executed after stability is achieved.
	At stability	At stability: The function of the [Zero] or [Tare] key is executed if stability exists when the key is pressed.
Automatic zeroing	On*	Activates automatic zeroing. The display is automatically set to zero in case of a deviation of 0 less than (X).
	Off	Deactivates automatic zeroing. Zeroing must be triggered with the [Zero] key.
Preset tare 1	On*	Activates the second tare memory (preset tare).
	Off	Deactivates the second tare memory (preset tare).

* Factory setting for the "Standard Weighing" factory-set weighing profile

Parameter	Setting Values	Explanation
Available units		The availability of units may depend on national legislation and is therefore country-specific. Multiple selection is possible.
	mg – milligrams	The device displays the weight in milligrams.
	g – grams*	The device displays the weight in grams.
	kg – kilograms	The device displays the weight in kilograms.
	ct – carats	The device displays the weight in carats.
	oz – ounces	The device displays the weight in ounces.
	lb – pounds	The device displays the weight in pounds.
	ozt – troy ounces	The device displays the weight in troy ounces.
	tlh – Hong Kong taels	The device displays the weight in taels (Hong Kong).
	tls – Singapore taels	The device displays the weight in taels (Singapore).
	tlt – Taiwanese taels	The device displays the weight in taels (Taiwan).
	tlc – Chinese taels	The device displays the weight in taels (China).
	GN – grain	The device displays the weight in grains.
	dwt – pennyweight	The device displays the weight in pennyweights.
	mom – mommes	The device displays the weight in mommes.
	tol – tolas	The device displays the weight in tolas.
	bat – baht	The device displays the weight in baht.
MS – mesghals	The device displays the weight in mesghals.	
N – newtons	The device displays the weight in newtons.	
Available resolutions	All digits on*	“All digits on”: All digits are shown in the display. Not available on conformity-assessed devices.
	Last digit off at load change	“Reduced by 1 digit for load change”: The last digit on the display is switched off until stability is achieved.
	Last digit scale interval 1	“Last digit scale interval 1”: The last digit always shows scale interval 1.
	Last digit off	“Last digit off”: The last digit is switched off.
Profile name	User input	Saves a name assigned for the weighing profile, e.g. “My Weighing”.
Profile description	User input	Saves a description for the weighing profile entered (optional).
* Factory setting for the “Standard Weighing” factory-set weighing profile		

7.7.5 Parameters in the “Weighing and Print Profiles/YDP30, PC Direct, or SBI Direct” Menu

Parameter	Setting Values	Explanation
GLP print	Off*	Deactivates the GLP print.
	On	The GLP print is always switched on. All printouts contain a GLP header and a GLP footer.
GLP header or GLP footer (if GLP print “On”)	Standard elements	<ul style="list-style-type: none"> – Adds elements to or deletes elements from the GLP header: Dashed line, space line, horizontal line, and signature. – Changes the sequence of the individual elements.
	Device information	<ul style="list-style-type: none"> – Adds elements to or deletes elements from the GLP header: Device ID 1, device ID 2, package version, last calibration, manufacturer, minUSP, model name, and serial number. – Changes the sequence of the individual elements.
	Task	<ul style="list-style-type: none"> – Adds elements to or deletes elements from the GLP header: QAPP version, task name, and user name. – Changes the sequence of the individual elements.
	Date and time	<ul style="list-style-type: none"> – Adds elements to or deletes elements from the GLP header: Date time report end, date time report start, and time zone. – Changes the sequence of the individual elements.
	User text	<ul style="list-style-type: none"> – Prints an entered description, e.g., the name of the print profile. – Adds or deletes up to four user texts.
	Measurement uncertainty	<ul style="list-style-type: none"> – Adds elements to or deletes elements from the GLP header: Calibration certificate, accreditation, created by, date, method, exponent, factor, process accuracy factor, summand. – Changes the sequence of the individual elements.
Weight value print elements	Standard elements	<ul style="list-style-type: none"> – Adds or deletes print elements: Dashed line, date time of application, space line, horizontal line, time zone, and user name. – Changes the sequence of the individual elements.
	Device information	<ul style="list-style-type: none"> – Adds or deletes the print element “Serial number”.
	Weighing	<ul style="list-style-type: none"> – Adds or deletes the following print elements: Data storage device ID, weight value block (gross, net, and tare value “N, T, GC”), and weight value. – Changes the sequence of the individual elements.
	Measurement uncertainty	<ul style="list-style-type: none"> – Adds or deletes the following print elements: Process accuracy, absolute uncertainty, and relative uncertainty. – Changes the sequence of the individual elements.
Connectors (for YDP printer)	YDP30	Displays the activated connector for printing.
	YDP30-NET	
* Factory setting		

Parameter	Setting Values	Explanation
Print mode (for YDP printer)	Report with print preview*	Displays the data to be printed in the operating display before printing.
	Immediate output without preview	Prints the determined data directly on the connected printer.
Paper (for YDP printer)	Continuous*	Continuously prints the individual printouts on the lineprint.
	Label	Continuously prints the individual printouts on the label printer.
Data fields (for PC direct only)	Title	Spreadsheet format: Sends the output with title.
	Header	Spreadsheet format: Sends the output with header.
	Value	Spreadsheet format: Sends the output with the value.
	Unit	Spreadsheet format: Sends the output with the unit.
Decimal point (for PC direct only)	Point	Spreadsheet format: Transmits the value with a decimal point to the PC program, e.g., 99.963 g
	Comma*	Spreadsheet format: Transmits the value with a decimal comma to the PC program, e.g., 99,963 g.
Column separator (for PC direct only)	Tab*	Spreadsheet format: Activates the tab character between the individual data fields in the spreadsheet.
	Space	Spreadsheet format: Activates the space between the individual data fields in the spreadsheet.
Output format of elements (for PC direct only)	One line	Sends the output in one line.
	Multiple lines	Sends the output in multiple lines.
Profile name (assigned print profiles for YDP30, PC direct, and SBI direct)	Printer YDP30 (only weight values)	Saves a name assigned for the print profile, e.g., "Printer YDP30".
	Printer YDP30 (GLP print, all data)	Saves a name assigned for the print profile, e.g., "Printer YDP30".
	Printer YDP30-NET (WLAN, GLP)	Saves a name assigned for the print profile, e.g., "Printer YDP30-NET".
	PC direct (USB keyboard emulation)	Saves a name assigned for the print profile, e.g., "PC direct".
	SBI print	Saves a name assigned for the print profile, e.g., "SBI print".
Profile description	User input	Saves an entered description for the print profile.
* Factory setting		

7.7.6 Parameters in the “Weighing and Print Profiles/PDF or CSV” Menu

Parameter	Setting Values	Explanation
GLP print	Off	Deactivates the GLP print.
	On*	The GLP print is always switched on. All printouts contain a GLP header and a GLP footer.
GLP header or GLP footer (if GLP print “On”)	Standard elements	<ul style="list-style-type: none"> – Adds elements to or deletes elements from the GLP header: Dashed line, space line, horizontal line, and signature. – Changes the sequence of the individual elements.
	Device information	<ul style="list-style-type: none"> – Adds elements to or deletes elements from the GLP header: Device ID 1, device ID 2, package version, last calibration, manufacturer, minUSP, model name, and serial number. – Changes the sequence of the individual elements.
	Task	<ul style="list-style-type: none"> – Adds elements to or deletes elements from the GLP header: QAPP version, task name, and user name. – Changes the sequence of the individual elements.
	Date and time	<ul style="list-style-type: none"> – Adds elements to or deletes elements from the GLP header: Date time report end, date time report start, and time zone. – Changes the sequence of the individual elements.
	User text	<ul style="list-style-type: none"> – Prints an entered description, e.g., the name of the print profile. – Adds or deletes up to four user texts.
	Measurement uncertainty	<ul style="list-style-type: none"> – Adds elements to or deletes elements from the GLP header: Calibration certificate, accreditation, created by, date, method, exponent, factor, process accuracy factor, summand. – Changes the sequence of the individual elements.
Weight value print elements	Standard elements	<ul style="list-style-type: none"> – Adds or deletes print elements: Dashed line, date time of application, space line, horizontal line, time zone, and user name. – Changes the sequence of the individual elements.
	Device information	Adds or deletes the print element “Serial number”.
	Weighing	<ul style="list-style-type: none"> – Adds or deletes the following print elements: Data storage device ID, weight value block (gross, net, and tare value “N, T, GC”), and weight value. – Changes the sequence of the individual elements.
	Measurement uncertainty	<ul style="list-style-type: none"> – Adds or deletes the following print elements: Process accuracy, absolute uncertainty, and relative uncertainty. – Changes the sequence of the individual elements.
Connectors	USB stick	Displays the activated connector for printing.
Profile name (assigned print profiles for PDF and CSV)	PDF document on USB	Saves a name assigned for the print profile, e.g., “PDF document”.
	Spreadsheet (CSV) on USB	Saves a name assigned for the print profile, e.g., “Spreadsheet (CSV)”.
Profile description	User input	Saves an entered description for the print profile.
* Factory setting		

7.7.7 Parameters in the “Connections/Connectors” Menu

Parameter	Setting Values	Explanation
USB	Connector name	Saves the entered name for a USB stick.
	Destination directory	Saves the name of a destination directory.
YDP30-NET	Connector name	Saves the entered name for a YDP30-NET.
	IP or host	Enter the IP or host address for the printer.
	Port	Define the port for the printer, e.g., “9100”.
FTP or FTPS	Connector name	If the QAPP extension has been activated: Saves the entered name of an FTP or FTPS server.
	IP address	If the QAPP extension has been activated: Enter the IP address for the device.
	Port	If the QAPP extension has been activated: Define the port for the device, e.g., “21”.
	Sub-directory	If the QAPP extension has been activated: Saves the name of a sub-directory.
	User	If the QAPP extension has been activated: Saves the name of the user.
	Password	If the QAPP extension has been activated: Saves the password for FTP or FTPS access.
Network printer	Connector name	Saves the entered name for a network printer.
	IP or host	Enter the IP or host address for the printer.
	Protocol	Define the protocol for the printer: Socket*, IPP, HTTP, or LDP
SMB	Connector name	If the QAPP extension “Windows File Server” has been activated: Saves the entered name of a Windows file server.
	//Host/Share	If the QAPP extension “Windows File Server” has been activated: Enter the host and share names of the Windows file server.
	Sub-directory	If the QAPP extension “Windows File Server” has been activated: Saves the name of a sub-directory.
	User	If the QAPP extension “Windows File Server” has been activated: Saves the name of the user.
	Password	If the QAPP extension “Windows File Server” has been activated: Saves the password for access to the Windows file server.

* Factory setting

7.7.8 Parameters in the “Connections/Network” Menu

Parameter	Setting Values	Explanation
General settings	Host name	Saves the device host name.
Ethernet	IPv4 method	Sets the method to DHCP, Manual or Off.
	IPv4 address	If “Manual” has been selected for the IP method: Saves the number of an IP address.
	IPv4 subnet mask	If “Manual” has been selected for the IP method: Saves the number of a subnet mask.
	IPv4 gateway	If “Manual” has been selected for the IP method: Saves the number of the gateway.
	IPv6 method	Sets the method to Auto, Manual or Off.
	IPv6 address	If “Manual” has been selected for the IP method: Saves the number of an IP address.
	IPv6 prefix length	If “Manual” has been selected for the IP method: Saves the number of the prefix length.
	IPv6 gateway	If “Manual” has been selected for the IP method: Saves the number of the gateway.
	DNS 1	Saves the value for DNS 1.
	DNS 2	Saves the value for DNS 2.
Wi-Fi	Wi-Fi SSID	Saves the name of the WI-FI SSID.
	Wi-Fi password	Saves a password for Wi-Fi access.
	IPv4 method	Sets the method to DHCP, Manual or Off.
	IPv4 address	If “Manual” has been selected for the IP method: Saves the number of an IP address.
	IPv4 subnet mask	If “Manual” has been selected for the IP method: Saves the number of a subnet mask.
	IPv4 gateway	If “Manual” has been selected for the IP method: Saves the number of the gateway.
	IPv6 method	Sets the method to Auto, Manual or Off.
	IPv6 address	If “Manual” has been selected for the IP method: Saves the number of an IP address.
	IPv6 prefix length	If “Manual” has been selected for the IP method: Saves the number of the prefix length.
	IPv6 gateway	If “Manual” has been selected for the IP method: Saves the number of the gateway.
	DNS 1	Saves the value for DNS 1.
	DNS 2	Saves the value for DNS 2.

7.7.9 Parameters in the “Connections/Website/Web Services” Menu

Parameter	Setting Values	Explanation
Website access	Deactivated	Deactivates the display of the website for the device.
	On, without authentication*	Sets the display options of the website for the device to “without authentication”.
Remote access	View only*	Permits remote access in view mode via a browser.
	View and remote control	Permits remote access via a browser.
Web service password	User input	Saves a password for web service access.
* Factory setting		

7.7.10 Parameters in the “Connections/Certificates” Menu

Parameter	Setting Values	Explanation
Trusted certification authorities	List of certification authorities	Activates a trusted certification authority (CA), in order to identify trusted servers, e.g., “GlobalSign”.
	Loading certification authorities from a connector	Imports a certification authority, e.g., using a USB stick.
Device certificates	List of device certificates	Activates a device certificate, e.g “GlobalSign”.
	Loading device certificates from a connector	Imports a certification authority for safe remote access to the device website, e.g., from a network server or USB stick.
Trust unknown certification authorities	No (secure)	
	Yes (insecure)*	
* Factory setting		

7.7.11 Parameters in the “Connections/Interfaces/Serial Communication over Network” (Ethernet) Menu

Parameter	Setting Values	Explanation
Protocol	Off*	Deactivates the serial transmission via Ethernet.
	SBI	Enables SBI communication. The data is output to a PC or control unit. Enables the use of ESC commands from a PC to control the basic balance functions with ASCII protocol.
	SICS	Enables SICS communication. The data is output to a PC or control unit. Enables the use of commands from a PC to control the basic balance functions with SICS protocol.
	xBPI	Extended range of commands to control numerous balance functions with binary protocol for direct communication with the weighing module.
	QAPP direct	Allows for the data input and output via a QAPP direct connection from a network server or USB stick to a data processing program. Only the special QAPPs, which are started by a task, can use the interface for their purposes of input and output.
	miniSICS	Enables miniSICS communication. The data is output to a PC or control unit. Enables the use of commands from a PC to control the basic balance functions with the miniSICS protocol.
Log communication	On	Activates the automatic data recording for this interface (only activate for test purposes).
	Off*	Deactivates the automatic data recording for this interface.
Port	User input	Saves the entered port number for the Ethernet interface.
* Factory setting		

7.7.12 Parameters in the “Connections/Interfaces/COM-RS232 Interface” Menu

Parameter	Setting Values	Explanation
Protocol	Off*	Deactivates the RS232 connection.
	SBI	Enables SBI communication. The data is output to a PC or control unit. Enables the use of ESC commands from a PC to control the basic balance functions with ASCII protocol.
	SICS	Enables SICS communication. The data is output to a PC or control unit. Enables the use of commands from a PC to control the basic balance functions with SICS protocol.
	xBPI	Extended range of commands to control numerous balance functions with binary protocol for direct communication with the weighing module.

Parameter	Setting Values	Explanation
Protocol	QAPP direct	Enables data entry and output to a data processing program via a QAPP direct connection. Only the special QAPPs, which are started by a task, can use the interface for their purposes of input and output.
	miniSICS	Enables miniSICS communication. The data is output to a PC or control unit. Enables the use of commands from a PC to control the basic balance functions with the miniSICS protocol.
Log communication	On	Activates the automatic data recording for this interface (only activate for test purposes).
	Off*	Deactivates the automatic data recording for this interface.
Baud rate	600 baud	Sets the baud rate to 600 baud.
	1200 baud	Sets the baud rate to 1200 baud.
	2400 baud	Sets the baud rate to 2400 baud.
	4800 baud	Sets the baud rate to 4800 baud.
	9600 baud*	Sets the baud rate to 9600 baud.
	19200 baud	Sets the baud rate to 19200 baud.
	38400 baud	Sets the baud rate to 38400 baud.
	57600 baud	Sets the baud rate to 57600 baud.
Data bits	115200 baud	Sets the baud rate to 115200 baud.
	7 data bits	Sets the number of data bits to 7.
	8 data bits*	Sets the number of data bits to 8.
Stop bits	1 stop bit*	Sets the number of stop bits to 1.
	2 stop bits	Sets the number of stop bits to 2.
Parity	None	Does not apply a parity.
	Even	Applies an even parity.
	Odd*	Applies an odd parity.
Handshake	Software	Sets the handshake protocol to software handshake.
	Hardware*	Sets the handshake protocol to hardware handshake.
	None	Does not set a handshake protocol.
* Factory setting		

7.7.13 Parameters in the “Connections/Interfaces/USB-B Interface” Menu

Parameter	Setting Values	Explanation
Protocol	Off*	Deactivates the USB-B connection.
	SBI	Enables SBI communication. The data is output to a PC or control unit. Enables the use of ESC commands from a PC to control the basic balance functions with ASCII protocol.
	SICS	Enables SICS communication. The data is output to a PC or control unit. Enables the use of commands from a PC to control the basic balance functions with SICS protocol.
	xBPI	Extended range of commands to control numerous balance functions with binary protocol for direct communication with the weighing module.
	PC direct	Enables data output to a spreadsheet program via a direct PC connection.
	QAPP direct	Enables data entry and output to a data processing program via a QAPP direct connection. Only the special QAPPs, which are started by a task, can use the interface for their purposes of input and output.
	miniSICS	Enables miniSICS communication. The data is output to a PC or control unit. Enables the use of commands from a PC to control the basic balance functions with the miniSICS protocol.
Log communication	On	Activates the automatic data recording for this interface (only activate for test purposes).
	Off*	Deactivates the automatic data recording for this interface.
* Factory setting		

7.7.14 Parameters in the “Connections/SBI Protocol” Menu

Parameter	Setting Values	Explanation
Format	Value without header	The data output only exports the measured value without ID code.
	Value (with header)*	The data output exports the measured value with ID codes.
	Date & time, value (two lines)	The data output exports the measured value, date, and time.
Output	Without stability*	The data is output without the weight value being stable.
	With stability	The data is output only when the weight value is stable.
Automatic output	Off*	Deactivates the automatic data output. The data output must be triggered by means of an SBI command with “ESC P”.
	Each weight value	Starts the automatic data output with each value according to the display result.
	1 second	Starts the automatic data output every second.
	2 seconds	Starts the automatic data output every 2 seconds.
	5 seconds	Starts the automatic data output every 5 seconds.
	10 seconds	Starts the automatic data output every 10 seconds.
	30 seconds	Starts the automatic data output every 30 seconds.
Display SBI error messages	60 seconds	Starts the automatic data output every 60 seconds.
	Off*	Displays no error messages.
Formatting output values	On	Displays error messages if errors occur when receiving and executing SBI commands.
	Output in one line with full length	<ul style="list-style-type: none"> – Outputs the elements in the full length, e.g., header and value. – The elements are separated by a space character, left-aligned, and output without infilling with space characters.
	Output in several lines with 20 char. each	<ul style="list-style-type: none"> – Distributes outputs, which due to their length do not fit in the standard output format of 20 characters, over several lines with 20 characters each. – Aligns each line to the left and infills with space characters to make up 20 characters.
	Cut off to a 20 character line*	<ul style="list-style-type: none"> – Defines the output in a standard output format of 20 characters. – Crops the end of longer outputs.

* Factory setting

7.7.15 Parameters in the “Connections/Climate Modules” Menu

Parameter	Setting Values	Explanation
Climate modules	Display of connected climate module	Activates climate modules if they are connected to the device.

7.7.16 Parameters in the “Connections/Connected Devices/Motion Sensor” Menu (only for connected motion sensors)

Parameter	Setting Values	Explanation
Number of gestures	2 gestures (left, right)*	Activates the control of functions with 2 gestures. Gestures: left, right.
	4 gestures (left, right, up, down)	Activates the control of functions with 4 gestures. Gestures: left, right, down, up.
	Any gesture	Activates the control of functions with any gesture.
Left gesture	No action	Disables the functions of the motion sensor.
Right gesture	Start/cancel taring	The gesture starts a taring process or cancels a taring process.
Up gesture	Start/cancel zeroing	The gesture starts the zeroing process or cancels the zeroing process.
Down gesture	Zeroing/taring	Starts or ends the “Zeroing/taring” function.
	Ionizer key	If the device is equipped with an ionizer: The gesture starts or ends the ionizer function.
	Takeover key	Uses the gesture to start an application or adopts displayed weight values.
	Left key, draft shield	If the device is equipped with a motorized draft shield: The gesture executes the left palm key function.
	Right key, draft shield	If the device is equipped with a motorized draft shield: The gesture executes the right palm key function.
	Open left (DI/DA)	If the device is equipped with a motorized draft shield: The gesture opens the left side panel.
	Open right (DI/DA)	If the device is equipped with a motorized draft shield: The gesture opens the right side panel.
	Open top (DI/DA)	If the device is equipped with a motorized draft shield: The gesture opens the upper panel.
	Close all (DI/DA)	If the device is equipped with a motorized draft shield: The gesture closes all draft shields.

* Factory setting

7.7.17 Parameters in the “Connections/Connected Devices/External USB Keys (only for connected peripheral device)” Menu

Parameter	Setting Values	Explanation
Press key 1 (F1)	No action	Deactivates the function of the connected device.
Release key 1 (F2)	Start/cancel taring	Starts a taring process or cancels a taring process.
Press key 2 (F3)	Start/cancel zeroing	Starts the zeroing process or cancels the zeroing process.
Release key 2 (F4)	Zeroing/taring	Starts or ends the “Zeroing/taring” function.
Press key 3 (F5)	Ionizer key	If the device is equipped with an ionizer: Starts or ends the ionizer function.
Release key 3 (F6)	Takeover key	Starts an application or adopts displayed weight values.
	Left key, draft shield	If the device is equipped with a motorized draft shield: Executes the left palm key function.
	Right key, draft shield	If the device is equipped with a motorized draft shield: Executes the right palm key function.
	Open left (DI/DA)	If the device is equipped with a motorized draft shield: Opens the left side panel.
	Open right (DI/DA)	If the device is equipped with a motorized draft shield: Opens the right side panel.
	Open top (DI/DA)	If the device is equipped with a motorized draft shield: Opens the upper panel.
	Close all (DI/DA)	If the device is equipped with a motorized draft shield: Closes all draft shield doors.

7.7.18 Parameters in the “Device Settings/Date and Time” Menu

Parameter	Setting Values	Explanation
NTP configuration	NTP operating status	Activates or deactivates the time synchronization with the NTP server.
	Server IP	Saves the entered server ID for the NTP server.
Set the date and time	Date format	Sets the date display format to DD/MM/YYYY, MM/DD/YYYY, DD.MM.YYYY, YYYY-MM-DD (ISO)*, YYYY:MM:DD, DD-MMM-YYYY or MMM-DD-YYYY.
	Set date	Saves the entered date.
	Time format	Sets the time display format to HH.MM.SS, HH:MM:SS (ISO)* or HH:MM:SS am/pm.
	Set time	Saves the entered time.
	Time zone	Saves the selected time zone.

* Factory setting

7.7.19 Parameters in the “Device Settings/Safe Weighing” Menu

Parameter	Setting Values	Explanation
isoCAL execution mode	Off	Deactivates the isoCAL function. Depending upon the national legislation, this setting is not possible in conformity-evaluated (calibrated) devices or else the device may only be operated in a restricted temperature range.
	Show status field, manual start	<ul style="list-style-type: none"> - Enables the adjustment request based on time, temperature, or leveling. - If the device must be calibrated: The [isoCAL] button is displayed as the predominant button in the operating display. - The isoCAL function must be manually triggered using the [isoCAL] button.
	On, automatic execution*	Activates the isoCAL function. The device is adjusted automatically as soon as the adjustment request based on time, temperature, or leveling is present and specific preconditions are fulfilled.
	On, automatic execution with linearization (only if possible)	Activates the isoCAL and linearization function. The device is automatically adjusted and then linearized as soon as a trigger starts the isoCAL function. This function is possible only in certain model variants.
Safety level	Off	Deactivates the message for leveling or executing isoCAL at the start of the task. The execution of the leveling or isoCAL function can be triggered manually via the respective button in the display.
	Warning*	If the isoCAL function or the leveling must be carried out: The device displays a message. Some device functions are limited until isoCAL or the leveling has been executed. The message remains intact in the event of an abort. The execution of the leveling or isoCAL function can be triggered manually via the respective button in the display. The displayed weight value is marked as invalid; printed data are marked with [!].
	Strict	If the isoCAL function or the leveling must be carried out: The device displays a message. Some device functions are limited until isoCAL or the leveling has been executed. Upon aborting the function, the task is not started; the function for the message must be executed. If a message appears while executing the task, the weighed value is marked as invalid. The takeover of this weighed value is blocked automatically. The weighed value can be taken over again only when the function for message has been executed. The data output is deactivated.

* Factory setting

7.7.20 Parameters in the “Device Settings/Preload” Menu

Parameter	Setting Values	Explanation
Preload	Set preload	<ul style="list-style-type: none"> - Sets the load present on the device as a preload and therefore changes the zero point of the device. - Reduces the maximum capacity by the set preload.
	Delete preload	<ul style="list-style-type: none"> - Deletes the set preload. - Changes the zero point and maximum capacity back to the values they were before the preload was set.

7.7.21 Parameters in the “Device Settings/Calibration/Adjustment Report” Menu

Parameter	Setting Values	Explanation
Automatic printout for isoCAL	On	Activates the automatic printout for the “isoCAL” function.
	Off*	Deactivates the automatic printout for the “isoCAL” function.
Automatic printout for cal./adj. task	On	Activates the automatic printout for the functions of the “calibration/adjustment” tasks.
	Off*	Deactivates the automatic printout for the functions of the “calibration/adjustment” tasks.
Print profile	List of print profiles	Selection of a print profile via which the printout must be carried out.

* Factory setting

7.7.22 Parameters in the “Device Settings/minUSP” Menu

Parameter	Setting Values	Explanation
minUSP function	Off*	If this extension has been activated in the QAPP Center: Deactivates the minimum initial weight.
	On	If this extension has been activated in the QAPP Center: Activates the minimum initial weight.
Starting point of operating range	User input	If this extension has been activated in the QAPP Center: Define the starting point value.
Mark weight values < minUSP as invalid	Off*	If this extension has been activated in the QAPP Center: Deactivates the identification of weight values that are less than the minimum initial weight.
	On	If this extension has been activated in the QAPP Center: Activates the identification of weight values that are less than the minimum initial weight and prevents them being adopted. These values are not only marked, they cannot be adopted.

* Factory setting

7.7.23 Parameters in the “Device Settings/Measurement Uncertainty” Menu

Parameter	Setting Values	Explanation
Active	Off*	If this extension has been activated in the QAPP Center: Disables the measurement uncertainty.
	On	If this extension has been activated in the QAPP Center: Activates the dynamic display of the measurement uncertainty for the weight value.
Method	User input	If this extension has been activated in the QAPP Center: Saves a name assigned for the method, e.g., EURAMET cg-18
Calibration certificate	User input	If this extension has been activated in the QAPP Center: Saves a name assigned for the calibration certificate.
Date	User input	If this extension has been activated in the QAPP Center: Defines the date of the measurement uncertainty.
Created by	User input	If this extension has been activated in the QAPP Center: Saves the name of the user.
Accreditation	User input	If this extension has been activated in the QAPP Center: Saves the name of the accreditation.
Displayed value	Absolute uncertainty*	If this extension has been activated in the QAPP Center: Calculates the measurement uncertainty as an absolute value.
	Relative uncertainty	If this extension has been activated in the QAPP Center: Calculates the measurement uncertainty as a relative value.
	Process accuracy	If this extension has been activated in the QAPP Center: Calculates the measurement uncertainty according to the input of the process accuracy factors.
Process accuracy factor	Enter factor	If this extension has been activated in the QAPP Center: Saves the entry for the process accuracy factor.
Summand a(1)	Enter summand	If this extension has been activated in the QAPP Center: Saves the entries for range 1.
Factor b(1)	Enter factor	
Exponent b(1) (e-)	Enter exponent	
Summand a(n)	Enter summand	If this extension has been activated in the QAPP Center: Saves the entries for range n.
Factor b(n)	Enter factor	
Exponent b(n) (e-)	Enter exponent	
* Factory setting		

7.7.24 Parameters in the “Device Settings/Device ID” Menu

Parameter	Setting Values	Explanation
Device ID 1	User input	Saves the entered device ID.
Device ID 2	User input	Saves the entered device ID.

7.7.25 Parameters in the “Device Settings / Electronic Signature” Menu

Parameter	Setting Values	Explanation
Sign report	Off*	If the QAPP extension has been activated: Deactivates electronic signature.
	On	If the QAPP extension has been activated: Activates electronic signature.
* Factory setting		

7.7.26 Parameters in the “Device Settings / Draft Shield” Menu (Only for Devices with a Motorized Draft Shield)

Parameter	Setting Values	Explanation
Left/right palm key	Off, no function	Deactivates the function for both palm keys.
	Same function	Both palm keys perform the same learned draft shield function. The two palm keys cannot be assigned functions independently of each other.
	Separate functions*	The two palm keys perform independent learned draft shield functions. The two palm keys can be assigned functions independently of each other.
Automatic mode	Off, no function*	Deactivates the automatic function.
	Closing -> Function->open	Closes the draft shield, carries out the function, and then opens the draft shield again.
	Close->Function	Closes the draft shield and then carries out the function.
* Factory setting		

7.7.27 Parameters in the “Device Settings / Ionizer” Menu (Only for Devices with an Ionizer)

Parameter	Setting Values	Explanation
Activation ionizer	Off, no function*	Deactivates the ionizer.
	Manual on with key	The [Ionizer] button starts an ionization process.
	Autom. on after closing draft shield	If the draft shield is closed: The ionization process starts automatically.
Ionizer intensity	Weak	Sets the intensity of the ionization process to “weak”.
	Medium*	Sets the intensity of the ionization process to “medium”.
	Strong	Sets the intensity of the ionization process to “strong”.
Start-up duration	Input: 1 to 60 seconds	Sets the duration of the ionization process (factory setting: 8 seconds).
* Factory setting		

7.7.28 Parameters in the “Device Settings/Start-up Behavior” Menu

Parameter	Setting Values	Explanation
Initial zeroing / taring	Off	Deactivates automatic zeroing and taring when starting the device.
	On*	Activates automatic zeroing and taring when starting the device.
Automatic login	Off	Deactivates “Automatic login”. No user is logged in automatically when starting the device.
	Administrator*	Activates “Automatic login”. The administrator is logged in automatically when starting the device.
	Operator	Activates “Automatic login”. The selected user is logged in automatically when starting the device.
Automatic start of last task	Off*	No task is started automatically after device login.
	On	After logging-in on the device, the task being performed by the last user to be logged in starts automatically.
* Factory setting		

7.7.29 Parameters in the “Device Settings/Display Properties” Menu

Parameter	Setting Values	Explanation
Display brightness	Bright	Sets the illumination on the operating display to “bright”.
	Medium	Sets the illumination on the operating display to “medium”.
	ECO mode*	Activates eco mode. For longer periods of downtime, the operating display darkens automatically.
On/off switch	Standby mode*	The [Standby] button switches the device into standby mode. The device can be reactivated by pressing the [Standby] button.
	Off	The [Standby] button switches the device off. The device must be reactivated by pressing the ON key.
Color scheme	Sartorius Standard*	If the QAPP extension has been activated: Selects the color scheme for the “Sartorius Standard” operating display. Additional color schemes can be unlocked via the QAPP Center.
* Factory setting		

7.7.30 Parameters in the “Device Settings / Sound (Loudspeaker)” Menu

Parameter	Setting Values	Explanation
Touch sounds	Activated	Deactivates the acoustic signal for touch and keypad operation.
	Deactivated*	Activates the acoustic signal for touch and keypad operation.
Message sounds	Activated	Deactivates the acoustic signal for messages.
	Deactivated*	Activates the acoustic signal for messages.
Sound for end-of-action	Activated	Deactivates the acoustic signal for the completion of an action.
	Deactivated*	Activates the acoustic signal for the completion of an action.

* Factory setting

7.7.31 Parameters in the “Device Maintenance” Menu

Parameter	Setting Values	Explanation
Update firmware	List of connectors and then list of firmware	<ul style="list-style-type: none"> - Starts a firmware update. - Not for conformity-assessed devices.
Install QAPP Center	List of connectors and then list of QAPP Centers	Updates the QAPP Center using the selected connector.
Install customized QAPP	List of connectors and then list of customized QAPPs	Updates a customized QAPP using the selected connector.
Device data backup	List of connectors	Saves the device data on the selected connector.
Restore device data	List of connectors	Loads saved device data from the selected connector.
Export device data	Role management	Saves device role management for an administrator, user, or guest on the selected connector.
	User management	Saves device user management for an administrator, user, or guest on the selected connector.
	Export overview	Displays the list of connectors, e.g., a server or connected USB stick.
Import device data	List of connectors for import	Loads the device data with role and user management, e.g., from a server or connected USB stick.
Reset to factory settings	Restore factory settings	<ul style="list-style-type: none"> - Resets the device to factory settings and deletes all configurations. - The audit trail and data memory will be retained.
Create diagnostic file		Saves information about device configuration and operation on a connected USB stick.

8 Operation

8.1 Switching the Device On and Off

The device only delivers accurate values if it has reached the necessary operating temperature. The warm-up time after switching the device on must therefore be complied with.

If the device is being switched on for the first time or if the device is switched on after being reset to factory settings: The Setup Wizard opens. All steps in the Setup Wizard must be completed.

Requirements

The device is connected to the power supply.

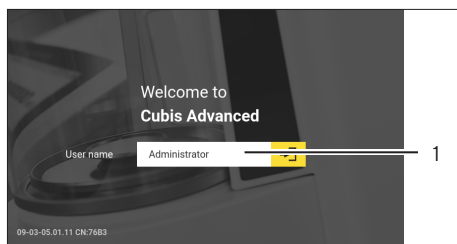
Procedure

- ▶ If the device does **not** switch on automatically after it is connected to the power supply: Press the ON key on the weighing module.
- ▶ **NOTICE** Pointed or sharp-edged objects may damage the operating display! Touching the operating display with objects, such as pens, may damage the touchscreen surface of the operating display. Only touch the operating display with your fingertips.
- ▶ If the Setup Wizard is shown: Follow the instructions in the Setup Wizard in the operating display.
- ▶ If the login display is displayed: Log into the device using a user profile.
- ▷ If the device is switched on after the Setup Wizard is complete and **no** passwords have been assigned for the user profiles: The user profile for the last user to be logged in is loaded.
- ▶ To allow the device to reach the necessary operating temperature to accurately determine the weight: Comply with the warm-up time of 30 minutes after switching the device on.
- ▷ If this relates to a conformity-assessed device: The weight value is marked as **invalid** during the warm-up period.
- ▶ **NOTICE** Damage to the device when disconnecting the device from the weighing module or electronics module The device must **not** be disconnected from the weighing module or electronics module during operation.
- ▶ To switch the device off: Disconnect the device from the power supply.

M

8.2 Logging Users In and Out

Procedure



- ▶ If the name of the desired user profile is displayed in the entry field (1) of the login display: Press the [Login] button.
- ▶ If the name of the desired user profile is **not** displayed in the entry field of the login display:
 - ▶ Tap on the entry field in the login display.
 - ▷ The user selection opens.
 - ▶ Press the name of the desired user profile.
 - ▶ If a password has been assigned for the desired user: Enter the password in the entry field and press the [OK] button.
 - ▷ The user profile opens and the main menu or the last task being performed by the active user is displayed.
- ▶ To log out the active user profile from the device: Press the [Log-out] button.

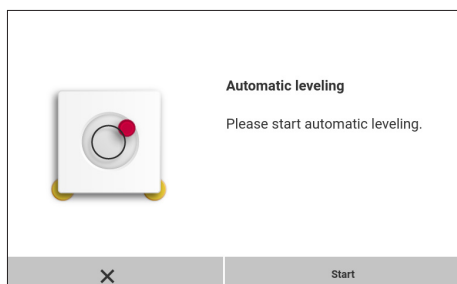
8.3 Leveling the Device

8.3.1 Level Device with Motorized Leveling Feet

Leveling compensates any inclines at the device's installation site. If leveling is necessary: The [Leveling] button appears in the weighing display and a message appears in the Status Center.

Procedure

- ▶ If the weighing display is displayed: Press the [Leveling] button.
- ▶ If the Status Center is displayed: Press the [Level] button.
- ▷ The Leveling Wizard opens.
- ▶ Follow the wizard's instructions.



8.4 Opening and Closing the Motorized Draft Shield (Only for Devices with a Motorized Draft Shield)

8.4.1 Opening Draft Shield by Pressing the Palm-operated Key

Pressing the palm-operated key enables the motorized side and upper draft shield panels to be opened and closed. A palm-operated key can be used to control up to three doors simultaneously. These applications and QAPP packages can be tested for 30 days free of charge, and after that require a license.

Procedure

- ▶ Switch on the device.
- ▶ If the draft shield is open: Close all draft shield doors.
- ▶ Press a palm-operated key: The draft shield opens.

8.4.2 Defining the Opening Width

It can be determined how far the draft shield should open when pressing the palm-operated key. The opening width of the draft shield can be determined separately for each of the two palm-operated keys (if selected in the menu).

Procedure

- ▶ To determine how far a door is opened by pressing the desired palm-operated key: Manually push the door open to the desired position.
- ▶ If several doors are to be controlled by the desired palm-operated key simultaneously: Manually push the desired doors open to the desired position.
- ▶ Press the desired palm-operated key.
- ▷ The opened door is closed.
- ▷ If several doors are open: All open doors are closed.
- ▷ When the desired palm-operated key is next pressed, the door opens or closes.

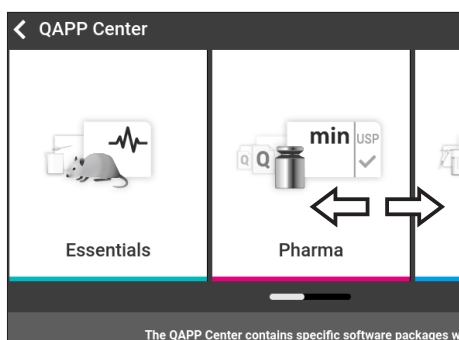
8.5 Activating Applications and Adding a Task

8.5.1 Activating Applications

All applications from the QAPP package “Essentials” are activated the device at the factory. Additional applications may be activated in the QAPP center. These applications and QAPP packages can be tested for 30 days free of charge, and after that require a license.

Procedure

- ▶ Open Task Management.
- ▶ Press the [QAPP center] button.
- ▷ An overview of all available QAPP packages is displayed.
- ▶ Select the desired software application package e.g. pharmaceuticals.
- ▶ To scroll through the contents of a displayed QAPP package: Swipe the contents of the QAPP package upwards or downwards.



- ▶ Select the desired QAPP package.
- ▷ A list of all the applications contained in the QAPP package is displayed.
- ▶ If the selected QAPP package is to be approved with all the applications it contains:
 - ▶ Press the [License] button.
 - ▷ The input field for the license key appears.
 - ▶ If an additional cost is associated with the QAPP package: Enter the license key in the entry field and press the [OK] button.
 - ▶ If no additional cost is associated with the QAPP package: Press the [OK] button.
- ▶ If an individual application from the displayed QAPP package is to be activated:
 - ▶ Press the desired application.
 - ▷ A display opens containing details about the selected application.
 - ▶ Press the [License] button.
 - ▷ The input field for the license key appears.
 - ▶ If an additional cost is associated with the application: Enter the license key in the entry field and press the [OK] button.
 - ▶ If no additional cost is associated with the application: Press the [OK] button.

8.5.2 Adding an Application to a Task

Applications must be added to a task so that they can run.

Procedure

- ▶ Open Task Management.
- ▶ Press the [New] button.
- ▶ A list of all activated applications is displayed.
- ▶ To select an application: Press the desired application.
- ▶ The wizard for creating a new task starts.
- ▶ Follow the wizard's instructions in the operating display.

8.6 Adding Weighing and Print Profiles to a Task

To be able to use a weighing or print profile: Add a weighing or print profile to a task. Weighing and print profiles can be configured in the Settings menu.

Procedure

- ▶ Open Task Management.
- ▶ Create or edit a task. In order to do so, start the wizard to create or edit a task and follow the wizard's instructions in the operating display.

8.7 Preparing Weighings

The device must be prepared before every weighing.

Procedure

- ▶ Level the device.
- ▶ Zero the device. In order to do so, press the [Zero] button.
- ▶ If the device **cannot** be zeroed: Remove the sample to be weighed and re-zero the device.
- ▶ Calibrate the device.

8.8 Weighing

NOTICE

Chemicals may damage the device or accessories!

Chemicals can attack the device or the connected accessories internally and externally. This may damage the device and accessories.

- ▶ Use appropriate containers when weighing chemicals.

Procedure

- ▶ Start a task with weighing function.
- ▶ Zero the device. In order to do so, press the [Zero] button.
- ▶ If below-balance weighing is being carried out: Suspend the sample on the hook for below-balance weighing, e.g. with a wire.
- ▶ If a container is being used for the sample:
 - ▶ Place the container on the weighing pan.
 - ▶ Tare the device. In order to do so, press the [Tare] button.
 - ▶ Place the sample in the container or fill the container.
- ▶ If **no** container is used for the sample and **no** below-balance weighing is being carried out: Place the sample on the weighing pan.
- ▶ Once the weight value is displayed in black and the weighing unit is displayed: Read off the measured value.

8.9 Overview of Calibration, Adjustment, and Linearization

During calibration, a calibration weight is used to determine how much the displayed value deviates from the actual value. This deviation is compared against a preset target value. The subsequent adjustment eliminates this deviation. During linearization, the deviation of the values from the ideal characteristic curve is corrected.

Calibration and adjustment must be performed regularly:

- Daily, every time the device is switched on
- After every leveling
- After changing the ambient conditions (temperature, humidity, or air pressure)
- After setting the device up at a new installation site

Calibration and adjustment may be performed in different ways:

- Adjusting with the isoCAL Function
- Internal or external calibration or adjustment
- For semi-microbalances and analytical balances: Internal linearization

M

Only internal adjustment is possible for all conformity-assessed devices in legal metrology.

8.10 Adjusting with the isoCAL Function

The device can be automatically internally calibrated and adjusted using the isoCAL function.

Requirements

- The device is **not** located in the menu.
- Alphanumeric inputs are **not** active.
- The load on the weighing pan remains unchanged for 2 minutes.
- The load on the weighing pan amounts to no more than 2% of the maximum load.
- The device does **not** register an input for 2 minutes.

If all requirements for starting the isoCAL function are met and one of the following conditions occurs: The isoCAL function is automatically triggered.

Possible conditions are:

- The ambient temperature has changed since the last adjustment.
- The interval time was exceeded (interval time, see Chapter "15.9 isoCAL Function", page 116).
- The device has been leveled.
- The device has been disconnected from the power supply since the last adjustment (only for conformity-assessed models).

Procedure

- ▶ If the isoCAL automatic start function is set and the [isoCAL] button is displayed as the predominant button in the operating display:
 - ▶ Wait until the isoCAL function starts automatically.
 - ▷ In the operating display, a time display counts down to 0.
 - ▷ If **no** load change or **no** operation takes place on the device before the expiration of the time display: The isoCAL function starts.
- ▶ If the isoCAL manual start function is set and the [isoCAL] button is displayed as the predominant button in the operating display:
 - ▶ Press the [isoCAL] button.
 - ▶ If information is displayed stating that the weighing pan is loaded: Unload the weighing pan.
 - ▷ The isoCAL function starts.
- ▷ If the isoCAL function is complete: The device confirms the completion of the calibration | adjustment process with an acoustic signal, and the calibration report is displayed.
- ▶ Output the calibration report via a connector: Press the [Print Memory] button.
- ▶ To close the calibration report and return to the previous display: Press the [OK] button.

8.11 Internally Calibrating and Adjusting the Device

Requirements

The weighing pan is unloaded.

Procedure

- ▶ Open the main menu.
- ▶ Select the “Internal Adjustment” task.
- ▷ The internal calibration | adjustment function is executed.
- ▷ If automatic leveling is set for a model with motorized adjusting feet: The device levels itself automatically.
- ▷ If the calibration | adjustment function is complete: The device confirms the completion of the calibration | adjustment process with an acoustic signal, and the calibration report is displayed.
- ▶ Output the calibration report via a connector: Press the [Print Memory] button.
- ▶ To close the calibration report and return to the main menu: Press the [OK] button.

8.12 Weighing and Printing with ID Marking

8.12.1 Saving Values for Printouts

Every lot and every sample can be assigned an ID number. The ID numbers are saved in the print memory and exported during the printing process.

Requirements

The prompt for the lot IDs and sample IDs is activated for the “Standard weighing” task.

Procedure

- ▶ Open the main menu.
- ▶ Start the “Weighing” task: To do so, tap on the task.
- ▷ The input field for the lot ID is displayed.
- ▶ If a barcode scanner is connected to the device: Scan or type the lot ID into the entry field.
- ▶ If **no** barcode scanner is connected to the device: Type the lot ID into the entry field.
- ▶ Press the [OK] button.
- ▷ The weighing display is displayed.
- ▶ Zero the device. In order to do so, press the [Zero] button.
- ▶ Place the sample on the weighing pan.
- ▶ Press the [Confirm] button.
- ▷ The input field for the sample ID is displayed.
- ▶ Scan or type the lot ID into the entry field.
- ▶ Press the [OK] button.
- ▷ The [Print memory] button appears in the operating display.
- ▷ The weight value and entered IDs are saved.

- ▶ If additional values are to be saved:
 - ▶ Remove the sample being weighed.
 - ▶ Place the next sample on the weighing pan and press the [Confirm] button.
 - ▶ Scan or type the lot ID into the entry field.
 - ▶ Press the [OK] button.

8.12.2 Marking Saved Values as Invalid

Procedure

- ▶ Press the [Print Memory] button.
- ▷ The print memory opens and a list of all saved values is displayed.
- ▶ Press the desired items.
- ▷ An overview of all data to be printed is displayed for the selected items.
- ▶ Press the [Yes] button.
- ▶ If a reason for the invalidity of the value needs to be displayed on the printout: Enter a reason in the entry field and press the [OK] button.
- ▶ If **no** reason for the invalidity of the value needs to be displayed on the printout: Press the [No] button.

8.12.3 Marking Saved Values as Valid

Procedure

- ▶ Press the [Print Memory] button.
- ▷ The print memory opens and a list of all saved values is displayed.
- ▶ Press the items which are desired to be marked as invalid.
- ▷ An overview of all data to be printed is displayed for the selected items.
- ▶ Press the [Yes] button.

8.12.4 Printing Saved Values

Procedure

- ▶ Press the [Print Memory] button.
- ▷ The print memory opens and a list of all saved values is displayed.
- ▶ To start the print process using the print profile embedded in the current task: Press the [Print] button.
- ▷ A PDF file is produced and sent to the printer defined in the print profile. For two print profiles with different connectors: The print processes will be started in succession.

8.12.5 Exiting the Task

Procedure

- ▶ Press the [Exit] or [Menu] button.
- ▷ If additional values are to be saved in the print memory:
 - ▷ A dialog for prematurely ending the task appears.
 - ▶ To return to the weighing display and print the saved values: Tap on the [Yes] button and print the saved values.
 - ▶ To exit the task and delete the saved values from the print memory: Press the [No] button.
- ▷ The task ends and the main menu is displayed.

8.13 Viewing the Data Storage Device

The data storage device stores weight values with date, time, and process number. The content of the data storage device can be searched and sorted using a filter. The data storage device is designed for approximately 150,000 data sets. The operator alone is responsible for making sure that there is sufficient storage capacity and the saved weighed values are present.

M

The data storage device is verifiable. The proper functioning of the data storage device must be ensured for verification by saving and checking some values.

Procedure

- ▶ Open the “Settings/Device Settings/Device Information” menu.
- ▷ Press the “View data storage device” menu entry. A list of all the values saved in the data storage device is displayed.
- ▶ If only the values for a desired date need to be displayed:
 - ▶ Press the [Filter] button.
 - ▶ Type the desired date into the entry field.
 - ▶ To filter the list with the date entered: Press the [OK] button.
- ▶ If the list needs to be searched for a particular ID:
 - ▶ Press the [Search] button.
 - ▶ Type the desired ID into the entry field.
 - ▶ To start the search with the entered ID: Press the [OK] button.

8.14 Turning the Ionizer On | Off (Only for Devices with an Ionizer)

8.14.1 Setting the Ionizer

Procedure

- ▶ Open the “Settings / Device Settings / Ionizer” menu.
- ▶ Select manual or automatic activation for the “Ionizer Function” parameter.
- ▶ For the “Ionizer Intensity” parameter, select the desired intensity, e.g. weak.
- ▶ For the “Operating Duration” parameter, select the duration of the ionization process, e.g. 60 seconds.

8.14.2 Starting the Ionization Process

Requirements

The model is equipped with an ionizer.

Procedure

- ▶ If the [Ionizer] button appears in the weighing display:
Press the [Ionizer] button.
- ▷ The ionization process starts.

8.14.3 Switching Off the Ionizer

Procedure

- ▶ Open the “Settings / Device Settings / Ionizer” menu.
- ▶ For the “Ionizer Function” parameter, select the setting value “Off, no function”.

8.15 Running Applications (Examples)

8.15.1 Executing the “Unit Change” Function

The “Unit Change” function enables the user to switch between the different units and resolutions defined in the weighing profile of the active task. The units and resolutions can be set at the beginning of the weighing process.

Procedure

- ▶ Start the desired task.
- ▶ Press the [Unit Change] button.
- ▷ All units defined in the weighing profile for the active task are displayed in a list.

- ▷ All resolutions for the weight value defined in the weighing profile for the active task are displayed in a list.
- ▶ Press the desired unit.
- ▶ To set the resolution for the selected unit: Press the desired resolution.
- ▶ To confirm the selection and return to the weighing display: Press the [OK] button.
- ▷ The current weight value is displayed in the selected unit and resolution.

8.15.2 Running the “Statistics” Application (from QAPP Package “Essentials”)

The “Statistics” application saves up to 100 weight values and evaluates these statistically.

The following values are saved and exported by the statistics application:

- Number of components
- Mean value
- Standard deviation
- Variation coefficient
- Sum of all values
- Lowest value (minimum)
- Highest value (maximum)
- Spread: Difference between maximum and minimum

The “Statistics” application can be combined with the following functions:

- Unit Change, only available in the weighing display, before saving the initial weight value
- ID marking
- Automatic taring

Procedure

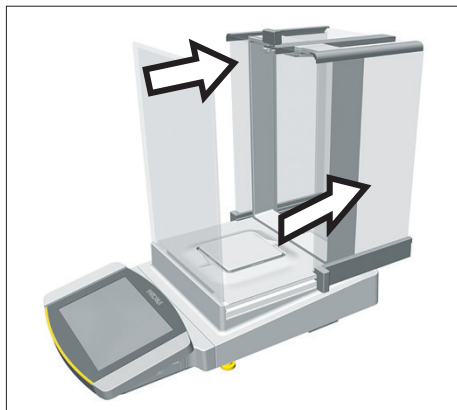
- ▶ Open the main menu.
- ▶ Start the task for the “Statistics” application.
- ▶ Zero the device.
- ▶ Place the sample on the weighing pan.
- ▶ To start the recording of the statistics: Press the [Confirm] button on the keypad.
- ▷ The current weight value is saved and the device is automatically tared.
- ▶ To save the next value: Place a new sample on the weighing pan and press the [Confirm] button.
- ▶ To display an overview of the saved data: Press the [Report] button.
- ▶ To print the current statistics: Press the [Print] button.
- ▶ To exit the current statistics, and to delete the saved values: Press the [Exit] button.

9 Cleaning and Maintenance

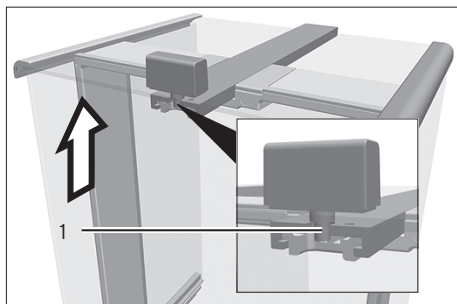
9.1 Preparing a Device with an Analytical Draft Shield or Flat Glass Draft Shield

Procedure

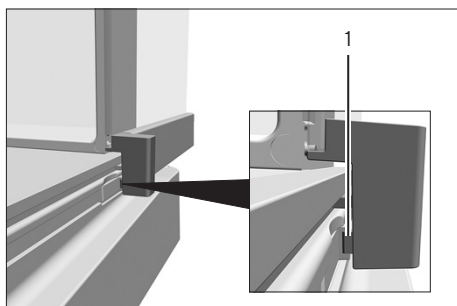
- ▶ Turn the device off.
- ▶ Disconnect the device from the power supply. To do so, disconnect the power supply cable from the wall outlet.
- ▶ Fully open the draft shield side panels and upper panel.



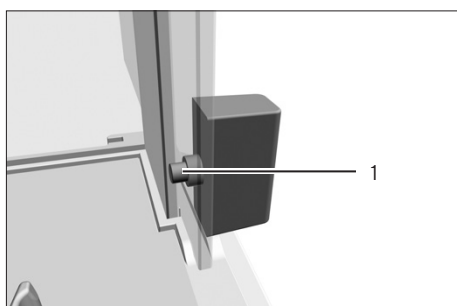
- ▶ Press and hold the locking button (1) on the door handle and pull the upper panel completely out of the guide rails.

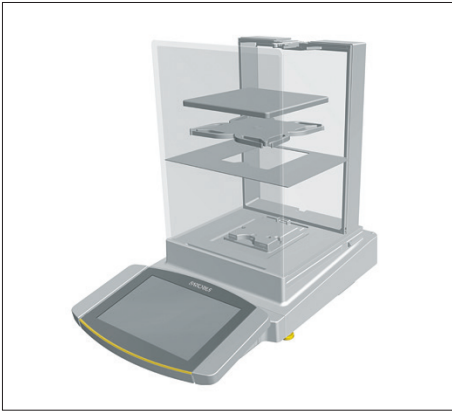


- ▶ If this relates to a device with an analytical draft shield: Press and hold the locking button (1) on the guide rails and pull the side panels completely out of the guide rails.



- ▶ If this relates to a device with a flat glass draft shield: Press and hold the locking button (1) on the door handle and pull the side panels completely out of the guide rails.

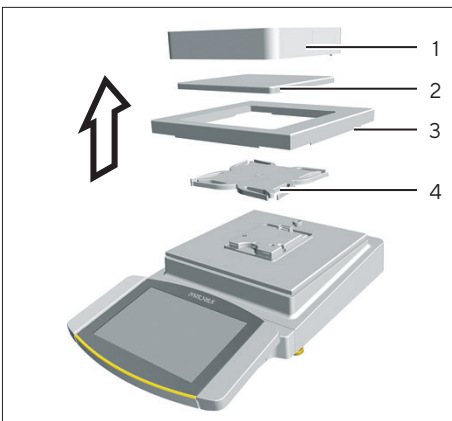




- ▶ Remove the weighing pan and all associated components from the weighing compartment, e.g. shield plate, pan support.

9.2 Preparing a Device with a Frame Draft Shield

Procedure



- ▶ Turn the device off.
- ▶ Disconnect the device from the power supply. To do so, disconnect the power supply cable from the wall outlet.
- ▶ Remove the frame draft shield (1) and clean it with a brush or a damp cleaning cloth.
- ▶ Remove the weighing pan (2).
- ▶ Remove the shield plate (3) and pan support (4).

9.3 Cleaning the Device

NOTICE

Corrosion or damage to the device due to unsuitable cleaning agents

- ▶ Do **not** use corrosive, chloride-containing, or aggressive cleaning agents.
- ▶ Do **not** use cleaning agents that contain abrasive ingredients, e.g. scouring agents, steel wool.
- ▶ Do **not** use solvent-based cleaning agents.
- ▶ Check whether the cleaning agents used are compliant materials (see Chapter "15.4 Materials", page 109).
- ▶ Make sure that cleaning materials, such as cloths, are only slightly damp.

Procedure

- ▶ **NOTICE** Malfunction or damage to the device due to the ingress of moisture or dust
 - ▶ Remove dust and powdery sample residue with a brush or hand-held vacuum cleaner.
- ▶ **NOTICE** Corrosion or damage to the weighing pan due to unsuitable cleaning agents
 - ▶ Wipe down the balance base, the shield plate, and the weighing pan with a cleaning agent and a cloth. The cleaning agent must be suitable for stainless steel and titanium.
- ▶ Wipe the associated components of the weighing pan with a brush or a damp cleaning cloth, e.g. shield plate, support pan.
- ▶ Wipe the device housing with a damp cloth. For more severe contamination, use a mild soap solution.
- ▶ If this relates to a device with an analytical draft shield or flat glass draft shield: Wipe the weighing chamber with a damp cloth. For more severe contamination, use a mild soap solution.

Tip

We recommend cleaning the weighing pan on a regular basis, e.g. weekly. Do **not** allow deposits to form on the weighing pan.

Protective oil may be applied to the weighing pan for additional protection. The protective oil must be suitable for stainless steel and titanium.

9.4 Assembling and Connecting the Device

Procedure

- ▶ Re-insert all components into the device (for insertion, see Chapter "5.7 Installing a Device with an Analytical Draft Shield or Flat Glass Draft Shield", page 48, Chapter "5.8 Installing a Device with a Frame Draft Shield", page 50).
- ▶ Re-connect the device to the power supply (see Chapter "6.2 Connecting the Power Supply", page 55).

9.5 Maintenance Schedule

Interval	Component	Action	Chapter, page
Monthly to every 2 years, depending on the operating conditions	Device	Contact Sartorius Service	17, 121

9.6 Performing a Software Update

A software update can be installed from a USB mass storage device using the device's USB-A connection. An update can also be carried out from a server via other connectors of the device. A software update can extend or change functionality.

Requirements

- The device is switched on.
- The software update is saved on a USB mass storage device.
- The USB mass storage device is formatted with file system "FAT32".

Procedure

- ▶ Download the software update from the Sartorius website onto the USB mass storage device.
- ▶ If this relates to a zip file: Unzip the software update on the stick. The files must be saved at root level. The files must **not** be set aside in a folder.
- ▶ Insert the USB mass storage device with the software update into one of the device's USB-A connection sockets.
- ▶ Select the "Update Firmware" menu entry in the "Settings/Device Maintenance" menu.
- ▶ Select "USB stick" as the connector.
- ▷ The software update takes approx. 3 minutes.
- ▷ Once the software update is complete: The software version number is updated in the login display.

9.7 Performing a QAPP Center Update

The QAPP center update can be installed from a USB mass storage device using the device's USB-A connection. An update can also be carried out from a server via other connectors of the device.

Requirements

- The device is switched on.
- The QAPP Center update is saved on a USB mass storage device or on a server via a connector.
- The USB mass storage device is formatted with file system "FAT32".

Procedure

- ▶ Download the QAPP center update from the Sartorius website onto the USB mass storage device.
- ▶ If this relates to a zip file: Unzip the QAPP center update on the stick. The files must be saved at root level. The files must **not** be set aside in a folder.
- ▶ Insert the USB mass storage device with the QAPP center update into one of the device's USB-A connections.
- ▶ Select the "Install QAPP Center" menu entry in the "Settings" / "Device Maintenance" menu.
- ▶ Select "USB stick" as the connector.
- ▶ Tap on the desired update.
- ▶ Once the software update is complete: Confirm successful installation with the [OK] button.

10 Malfunctions

10.1 Warning Messages

Warning message	Fault	Cause	Remedy	Chapter, page
Disp.Err.	The value to be output cannot be shown in the operating display.	The data to be displayed is not compatible with the set display format.	Adjust the display settings in the menu, e.g. resolution, unit, decimal places.	
High	The device is overloaded.	The device's maximum weighing capacity has been exceeded.	Reduce the applied weight to below the device's maximum weighing capacity.	15.7, 110
Low	The modulation of the weighing module's weighing converter is too low.	No weighing pan has been placed on the balance. A previously forgotten weight was removed after starting the device.	Insert the weighing pan into the device and switch the device off and on again.	
Com.Err.	The device is not receiving any weight values.	No communication exists between the display and control unit and the weighing module.	Wait until the display and control unit restores the communication with the weighing module. If the problem occurs again: Contact Sartorius Service.	17, 121

10.2 Troubleshooting

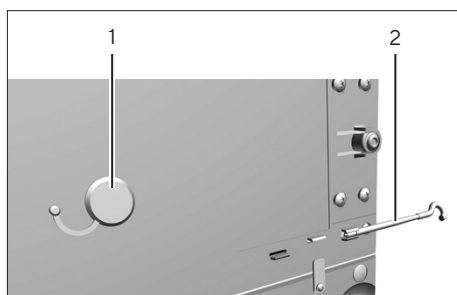
Fault	Cause	Remedy	Chapter, page
The operating display is blank.	The device is disconnected.	Check the connection to the power supply.	6.2, 55
	The AC adapter is not connected.	Connect the power supply cable to the power supply.	6.2, 55
The displayed weight value changes constantly.	The installation site is unstable.	Adjust the parameters in the "Ambient conditions" submenu.	7.7.4, 63
		Change the installation site.	5.2, 44
	A foreign object is positioned between the weighing pan and the housing.	Remove the foreign object.	
The weight readout displayed by the device is obviously wrong.	The device has not been calibrated.	Calibrate the device.	8.9, 89
	The device was not tared before weighing.	Tare the device.	
The side or upper panel of the motorized draft shield does not open or close.	The operating range of the side or upper panel of the motorized draft shield is not functional or is blocked.	Hold down the palm-operated key. If the problem continues to occur: Contact Sartorius Service.	

11 Decommissioning

11.1 Decommissioning the Device

Procedure

- ▶ Turn the device off.
- ▶ Disconnect the device from the power supply.
- ▶ Disconnect the device from all connected devices and all accessories, e.g. printer or electronics module.
- ▶ If this relates to a device with an analytical draft shield or flat glass draft shield: Remove the draft shield side panels and upper panel (see Chapter "9.1 Preparing a Device with an Analytical Draft Shield or Flat Glass Draft Shield", page 96).
- ▶ Clean the device (see Chapter 9.3, page 97).
- ▶ Re-insert all components into the device (see Chapter "5.7 Installing a Device with an Analytical Draft Shield or Flat Glass Draft Shield", page 48, Chapter "5.8 Installing a Device with a Frame Draft Shield", page 50).
- ▶ If below-balance weighing has been set up:
 - ▶ Turn the device on its side and place it on a soft support base.
 - ▶ Remove the hook for below-balance weighing from the thread.
 - ▶ Insert the hook for below-balance weighing (2) into its retainer on the underside of the weighing module.
 - ▶ Re-insert the cover of the below-balance weighing equipment (1).
 - ▶ Place the device on the device base on a level surface.



12 Transport

12.1 Transporting the Device

Procedure

- ▶ **⚠ CAUTION** Risk of injury from breaking glass. Glass components can break if they fall or are handled incorrectly. Glass fragments can cause cuts.
 - ▶ Only lift the device by its base, **not** by the draft shield.



- ▶ When lifting and transporting, ensure that **no** personnel or objects are in the way.
- ▶ Use suitable conveyance devices, e.g., trolleys, for long transport routes.

13 Storage and Shipping

13.1 Storage

Procedure

- ▶ Turn the device off.
- ▶ Disconnect the device from the power supply.
- ▶ Disconnect the device from all connected devices and all accessories, e.g. printer.
- ▶ Clean the device (see Chapter 9.3, page 97).
- ▶ Store the device according to the ambient conditions (see Chapter “15.3 Ambient Conditions”, page 107).

13.2 Returning Device and Parts

Defective devices or device components can be returned to Sartorius. Returned devices must be clean, decontaminated, and properly packed, e.g. in the original packaging.

Transport damage as well as measures for subsequent cleaning and disinfection of the device or device components by Sartorius shall be charged to the sender.

WARNING

Risk of injury due to contaminated devices

Devices contaminated with hazardous materials (nuclear, biological, or chemical – NBC) will **not** be accepted for repair or disposal.

- ▶ Observe the information on decontamination (see Chapter “14.1 Information on Decontamination”, page 104).
-

Procedure

Switch off the device.

- ▶ Disconnect the device from the power supply.
- ▶ Disconnect the device from all connected devices and all accessories, e.g. printer.
- ▶ Clean the device.
- ▶ Contact Sartorius Service for instructions on how to return devices or device components (please refer to www.sartorius.com for return instructions).
- ▶ Pack the device and the device components properly for return, e.g. in the original packaging.

14 Disposal

14.1 Information on Decontamination

The device does **not** contain any hazardous materials that would necessitate special disposal actions.

Contaminated samples used during the process are potentially hazardous materials that could cause biological or chemical hazards.

If the device has come into contact with hazardous substances: Steps must be taken to ensure proper decontamination and declaration. The operator is responsible for adhering to local legislation on the proper declaration of transport and disposal and the proper disposal of the device.

WARNING

Risk of injury due to contaminated devices

Devices contaminated with hazardous materials (NBC contamination) will **not** be accepted by Sartorius for repair or disposal.

14.2 Disposing of Device and Parts

14.2.1 Information on Disposal

The device and the device accessories must be disposed of properly by disposal facilities.

A lithium cell battery, type CR2032, is installed inside the device. Batteries must be disposed of properly by disposal facilities.

The packaging is made of environmentally friendly materials that can be used as secondary raw materials.

14.2.2 Disposal

Requirements

The device has been decontaminated.

Procedure

- ▶ Dispose of the device. Follow the disposal instructions on our website (www.sartorius.com).
- ▶ Inform the disposal facility that there is a lithium cell battery, type CR2032, installed inside the device.
- ▶ Dispose of the packaging in accordance with local government regulations.

15 Technical Data

15.1 Dimensions and Weight

15.1.1 Semi-microbalance

	Unit	With manual draft shield	With motorized draft shield
		Value	Value
Dimensions			
Weighing module (L × W × H)	mm	450 × 240 × 373	450 × 240 × 373
Electronics module (L × W × H)	mm	211 × 240 × 56	211 × 240 × 56
Weighing pan size	mm	85 × 85	85 × 85
Weight, approx.	kg	11.0	12.5

15.1.2 Analytical Balance

	Unit	With manual draft shield	With motorized draft shield
		Value	Value
Dimensions (L × W × H)	mm	470 × 240 × 373	470 × 240 × 373
Weighing pan size	mm	85 × 85	85 × 85
Weight, approx.	kg	9.0	10.8

15.1.3 Precision Balance

	Unit	With frame draft shield	With flat glass draft shield	With manual analytical draft shield	With motorized analytical draft shield
		Value	Value	Value	Value
Dimensions (L × W × H)	mm	470 × 240 × 122	470 × 240 × 284	470 × 240 × 373	470 × 240 × 373
Weighing pan size	mm	140 × 140	140 × 140	140 × 140	140 × 140
Weight, approx.	kg	6.7	8.3	10.2	11.0

15.2 Power Supply

15.2.1 Device

Only by Sartorius AC adapter YEPS03-15V0

15.2.2 AC Adapter

	Unit	Value
Item No.		YEPS03-15V0
Primary		
AC voltage	V	100–240 (±10%)
Frequency	Hz	50–60 (±5%)
Current consumption, maximum	A	1.0
Secondary		
DC voltage at 2 A output current	V	14.25–15.75
Power, maximum	W	30
Short circuit protection: Electronic		
Protection class according to IEC 62368-1		I
Pollution level according to IEC 61010-1		2
Overvoltage category according to IEC 606641-1		II
Installation site according to IEC 62368-1, maximum altitude above sea level	m	5000
Temperature		
In operation	°C	0–+40
During storage and transport	°C	-20–+80
Connector for mains connection according to IEC 60320-1/C14: 3-pin		
Power supply cable		
Power supply cable according to IEC 60320-1/C14: Country-specific, 3-pin, two-sided plug		
Other data: See label on AC adapter		

15.2.3 Safety of Electrical Equipment

According to EN 61010-1/IEC 61010-1 Safety requirements for electrical equipment for measurement, control, and laboratory use – Part 1: General Requirements

15.2.4 Electromagnetic Compatibility

Interference resistance
Suitable for use in industrial areas
Transient emissions
Class B
Suitable for use in residential areas and areas that are connected to a low voltage network that also supplies residential buildings.

15.3 Ambient Conditions

15.3.1 Installation Site

	Unit	Value
Installation site		
Standard laboratory rooms		
Installation site according to IEC 60259-1, maximum altitude above sea level	m	3000
For indoor use only		
Temperature		
In operation	°C	+5-+40
In operation for conformity-assessed devices: See information on the device's ID plate		
During storage and transport	°C	-20-+60
Relative humidity		
At temperatures of up to 31°C	%	80
Then linear decrease from 80% at 31°C to 50% at 40°C		
No heat from heating systems or direct sunlight		
No drafts from open windows, AC systems, or doors		
No vibrations		
No "heavy traffic" areas (personnel)		
No electromagnetic fields		
No dry air		

15.3.2 Ambient Temperature for the isoCAL Function

		MCA225S	MCA225P	MCA125S	MCA125P
	Unit	Value	Value	Value	Value
Scope of application as per Directive 2014/31/EU					
With isoCAL function	°C	+10--+30	+10--+30	+10--+30	+10--+30
Without isoCAL function	°C	+17--+27	+17--+27	+17--+27	+17--+27

		MCA524S	MCA524P	MCA324S	MCA324P
	Unit	Value	Value	Value	Value
Scope of application as per Directive 2014/31/EU					
With isoCAL function	°C	+10--+30	+10--+30	+10--+30	+10--+30
Without isoCAL function	°C	-	-	+17--+27	+17--+27

		MCA224S	MCA124S	MCA5203S	MCA5203P
	Unit	Value	Value	Value	Value
Scope of application as per Directive 2014/31/EU					
With isoCAL function	°C	+10--+30	+10--+30	+10--+30	+10--+30
Without isoCAL function	°C	+17--+27	+17--+27	-	-

		MCA3203S	MCA2203S	MCA2203P	MCA1203S
	Unit	Value	Value	Value	Value
Scope of application as per Directive 2014/31/EU					
With isoCAL function	°C	+10--+30	+10--+30	+10--+30	+10--+30
Without isoCAL function	°C	+17--+27	+17--+27	+17--+27	+17--+27

		MCA623S	MCA623P	MCA323S	MCA5202S
	Unit	Value	Value	Value	Value
Scope of application as per Directive 2014/31/EU					
With isoCAL function	°C	+10--+30	+10--+30	+10--+30	+10--+30
Without isoCAL function	°C	+10--+30	+10--+30	+10--+30	+17--+27

15.3.3 Protection Class

IP Protection: Protected against dust and water

15.4 Materials

Housing: Die-cast aluminum, plastic PBT, Optiwhite float glass and stainless steel 1.4401|1.4404, PA handles, aluminum trim

Display and control unit: Die-cast aluminum, painted, float glass and plastic PBT, PP

15.5 Integrated Clock

	Unit	Value
Maximum deviation per month (RTC)	s	30

15.6 Backup Battery

	Unit	Value
Lithium battery, type CR2032		
Service life at room temperature, minimum	Years	10

15.7 Metrological Data

15.7.1 Models MCA225S | MCA225P | MCA125S | MCA125P

		MCA225S	MCA225P	MCA125S	MCA125P
	Unit	Value	Value	Value	Value
Scale interval (d)	mg	0.01	0.01/0.02/ 0.05	0.01	0.01 0.1
Maximum capacity (Max)	g	220	60/120/220	120	60 120
Repeatability at 5% load					
Standard deviation of the load values, tolerance	mg	0.015	0.015	0.015	0.015
Standard deviation of the load values, typical value	mg	0.0065	0.0065	0.0065	0.0065
Repeatability at approx. maximum capacity					
Standard deviation of the load values, tolerance	mg	0.025	0.04	0.025	0.06
Standard deviation of the load values, typical value	mg	0.02	0.02	0.02	0.02
Linearity deviation					
Tolerance	mg	0.1	0.15	0.1	0.15
Typical value	mg	0.065	0.1	0.065	0.1
Deviation when load is off-center, positions according to OIML R76					
Test weight	g	100	100	50	50
Tolerance	mg	0.15	0.2	0.15	0.2
Typical value	mg	0.1	0.1	0.1	0.1
Sensitivity drift between +10°C and +30°C	ppK	1	1	1	1
Tare maximum capacity: Less than 100% of maximum capacity					
Accuracy class according to Directive 2014/31/EU		I	I	I	I
Verification scale interval (e) according to Directive 2014/31/EU	mg	1	1	1	1
Minimum load (Min) according to Directive 2014/31/EU	mg	1	1	1	1
Minimum initial weighing according to USP (United States Pharmacopeia), Chap. 41					
Optimum minimum initial weighing	mg	8.2	8.2	8.2	8.2
Typical minimum initial weighing	mg	13	13	13	13
Typical stabilization time	s	2	2	2	2
Typical measurement time	s	6	6	6	6

15.7.2 Models MCA524S | MCA524P | MCA324S | MCA324P

		MCA524S	MCA524P	MCA324S	MCA324P
	Unit	Value	Value	Value	Value
Scale interval (d)	mg	0.1	0.1/0.2/0.5	0.1	0.1/0.2/0.5
Maximum capacity (Max)	g	520	120/240/ 520	320	80/160/320
Repeatability at 5% load					
Standard deviation of the load values, tolerance	mg	0.08	0.08	0.08	0.08
Standard deviation of the load values, typical value	mg	0.04	0.04	0.04	0.04
Repeatability at approx. maximum capacity					
Standard deviation of the load values, tolerance	mg	0.1	0.15	0.1	0.1
Standard deviation of the load values, typical value	mg	0.05	0.05	0.05	0.05
Linearity deviation					
Tolerance	mg	0.4	0.5	0.3	0.5
Typical value	mg	0.2	0.2	0.2	0.2
Deviation when load is off-center, positions according to OIML R76					
Test weight	g	200	200	200	200
Tolerance	mg	0.3	0.4	0.3	0.4
Typical value	mg	0.2	0.2	0.2	0.2
Sensitivity drift between +10°C and +30°C	ppK	1	1	1	1
Tare maximum capacity: Less than 100% of maximum capacity					
Accuracy class according to Directive 2014/31/EU		I	I	I	I
Verification scale interval (e) according to Directive 2014/31/EU	mg	1	1	1	1
Minimum load (Min) according to Directive 2014/31/EU	mg	10	10	10	10
Minimum initial weighing according to USP (United States Pharmacopeia), Chap. 41					
Optimum minimum initial weighing	mg	82	82	82	82
Typical minimum initial weighing	mg	82	82	82	82
Typical stabilization time	s	1	1	1	1
Typical measurement time	s	3	3	3	3

15.7.3 Models MCA224S | MCA124S | MCA5203S | MCA5203P

		MCA224S	MCA124S	MCA5203S	MCA5203P
	Unit	Value	Value	Value	Value
Scale interval (d)	mg	0.1	0.1	1	1/2/5
Maximum capacity (Max)	g	220	120	5200	1200/2400/ 5200
Repeatability at 5% load					
Standard deviation of the load values, tolerance	mg	0.07	0.1	1	1
Standard deviation of the load values, typical value	mg	0.05	0.05	0.5	0.5
Repeatability at approx. maximum capacity					
Standard deviation of the load values, tolerance	mg	0.07	0.1	1	1
Standard deviation of the load values, typical value	mg	0.05	0.05	0.6	0.6
Linearity deviation					
Tolerance	mg	0.2	0.2	5	5
Typical value	mg	0.13	0.13	2	3
Deviation when load is off-center, positions according to OIML R76					
Test weight	g	100	50	2000	2000
Tolerance	mg	0.2	0.2	2	2
Typical value	mg	0.12	0.12	1	1
Sensitivity drift between +10°C and +30°C	ppK	1	1	1	1
Tare maximum capacity: Less than 100% of maximum capacity					
Accuracy class according to Directive 2014/31/EU		I	I	I	I
Verification scale interval (e) according to Directive 2014/31/EU	mg	1	1	10	10
Minimum load (Min) according to Directive 2014/31/EU	mg	10	10	100	100
Minimum initial weighing according to USP (United States Pharmacopeia), Chap. 41					
Optimum minimum initial weighing	mg	82	82	820	820
Typical minimum initial weighing	mg	100	100	1000	1000
Typical stabilization time	s	1	1	1	1
Typical measurement time	s	3	3	2	2

15.7.4 Models MCA3203S | MCA2203S | MCA2203P | MCA1203S

		MCA3203S	MCA2203S	MCA2203P	MCA1203S
	Unit	Value	Value	Value	Value
Scale interval (d)	mg	1	1	1 10	1
Maximum capacity (Max)	g	3200	2200	1010 2200	1200
Repeatability at 5% load					
Standard deviation of the load values, tolerance	mg	1	0.7	0.7	0.7
Standard deviation of the load values, typical value	mg	0.5	0.5	0.5	0.5
Repeatability at approx. maximum capacity					
Standard deviation of the load values, tolerance	mg	1	1	1	0.7
Standard deviation of the load values, typical value	mg	0.6	0.6	0.6	0.6
Linearity deviation					
Tolerance	mg	5	3	5	2
Typical value	mg	2	2	3	1
Deviation when load is off-center, positions according to OIML R76					
Test weight	g	1000	1000	1000	500
Tolerance	mg	2	2	3	2
Typical value	mg	1	1	2	1
Sensitivity drift between +10°C and +30°C	ppK	1	1	1	1.5
Tare maximum capacity: Less than 100% of maximum capacity					
Accuracy class according to Directive 2014/31/EU		I	I	I	I
Verification scale interval (e) according to Directive 2014/31/EU	mg	10	10	10	10
Minimum load (Min) according to Directive 2014/31/EU	mg	100	100	100	100
Minimum initial weighing according to USP (United States Pharmacopeia), Chap. 41					
Optimum minimum initial weighing	mg	820	820	820	820
Typical minimum initial weighing	mg	1000	1000	1000	1000
Typical stabilization time	s	1	1	1	1
Typical measurement time	s	2	1.5	1.5	1.5

15.7.5 Models MCA623S | MCA623P | MCA323S | MCA5202S

		MCA623S	MCA623P	MCA323S	MCA5202S
	Unit	Value	Value	Value	Value
Scale interval (d)	mg	1	1 2 5	1	10
Maximum capacity (Max)	g	620	150 300 620	320	5200
Repeatability at 5% load					
Standard deviation of the load values, tolerance	mg	0.7	1	0.7	6
Standard deviation of the load values, typical value	mg	0.4	0.4	0.4	2
Repeatability at approx. maximum capacity					
Standard deviation of the load values, tolerance	mg	0.7	1	0.7	6
Standard deviation of the load values, typical value	mg	0.5	0.5	0.5	2
Linearity deviation					
Tolerance	mg	2	5	2	10
Typical value	mg	0.6	1.5	0.6	5
Deviation when load is off-center, positions according to OIML R76					
Test weight	g	200	200	200	2000
Tolerance	mg	2	4	2	10
Typical value	mg	1	3	1	5
Sensitivity drift between +10°C and +30°C	ppK	2	2	2	2
Tare maximum capacity: Less than 100% of maximum capacity					
Accuracy class according to Directive 2014/31/EU		II	II	II	I
Verification scale interval (e) according to Directive 2014/31/EU	mg	10	10	10	100
Minimum load (Min) according to Directive 2014/31/EU	mg	20	20	20	1000
Minimum initial weighing according to USP (United States Pharmacopeia), Chap. 41					
Optimum minimum initial weighing	mg	820	820	820	8200
Typical minimum initial weighing	mg	820	820	820	8200
Typical stabilization time	s	0.8	0.8	0.8	0.8
Typical measurement time	s	1	1	1	1

15.8 Recommended Calibration Weight

		MCA225S	MCA225P	MCA125S	MCA125P
	Unit	Value	Value	Value	Value
External test weight	g	200	200	100	100
Recommended accuracy class		E2	E2	E2	E2

		MCA524S	MCA524P	MCA324S	MCA324P
	Unit	Value	Value	Value	Value
External test weight	g	500	500	300	300
Recommended accuracy class		E2	E2	E2	E2

		MCA224S	MCA124S	MCA5203S	MCA5203P
	Unit	Value	Value	Value	Value
External test weight	g	200	100	5000	5000
Recommended accuracy class		E2	E2	E2	E2

		MCA3203S	MCA2203S	MCA2203P	MCA1203S
	Unit	Value	Value	Value	Value
External test weight	g	3000	2000	1000	1000
Recommended accuracy class		E2	E2	E2	E2

		MCA623S	MCA623P	MCA323S	MCA5202S
	Unit	Value	Value	Value	Value
External test weight	g	500	500	200	5000
Recommended accuracy class		E2	E2	E2	E2

15.9 isoCAL Function

15.9.1 Models MCA225S | MCA225P | MCA125S | MCA125P | MCA324S | MCA324P | MCA224S | MCA124S | MCA2203S | MCA2203P | MCA1203S

	Unit	Value
isoCAL is triggered by the following criteria:		
In the event of a temperature change	K	1.5
After a time interval	h	12
After successful leveling		

15.9.2 Models MCA524S | MCA524P | MCA5203S | MCA5203P | MCA3203S

	Unit	Value
isoCAL is triggered by the following criteria:		
In the event of a temperature change	K	1.5
After a time interval	h	6
After successful leveling		

15.9.3 Models MCA623S | MCA623P | MCA323S | MCA5202S

	Unit	Value
isoCAL is triggered by the following criteria:		
In the event of a temperature change	K	2
After a time interval	h	12
After successful leveling		

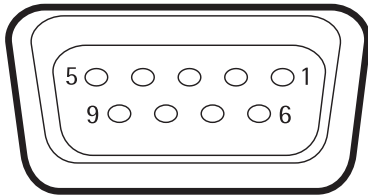
15.10 Data Storage Device

Maximum number of datasets	150,000
----------------------------	---------

15.11 Interfaces

15.11.1 Specifications for the COM-RS232 Interface

Type of interface	Serial interface
Interface operation	Serial interface
Level	RS232
Connection	D-sub connector, 9-pin
Pin assignment	<p>Pin 1: Not used</p> <p>Pin 2: Data output (TxD)</p> <p>Pin 3: Data input (RxD)</p> <p>Pin 4: Not used</p> <p>Pin 5: Internal ground</p> <p>Pin 6: Not used</p> <p>Pin 7: Clear to Send (CTS)</p> <p>Pin 8: Request to Send (RTS)</p> <p>Pin 9: Not used</p>



15.11.2 Specifications for the USB-A Interface

Communication	USB host (master)
Connectable devices	Sartorius printers, USB memory sticks, USB barcode scanners, USB keyboards

15.11.3 Specifications for the USB-B Interface

Communication	USB device (slave)
Type of interface	Virtual serial interface (virtual COM-port, VCP) and "PC direct" communication

16 Accessories

16.1 Accessories

This table contains an excerpt of the accessories that can be ordered. For information on other products, contact Sartorius Service.

16.1.1 Printers and Communication

Item	Quantity	Order number
Thermal transfer thermal printer for GLP GMP printouts on continuous paper and labels	1	YDP30
Thermal transfer thermal network printer with Ethernet connection for GLP GMP printouts on continuous paper and labels	1	YDP30-NET
Wireless nano USB adapter for company network or independent Wi-Fi network, e.g., operation with a Sartorius network printer YDP30-NET (only for Europe)	1	YWLAN01MS
Wireless nano router, e.g., for Sartorius network printer YDP30-NET for operation in an independent Wi-Fi network (only for Europe)	1	YWLAN02MS
Display cable, 3 m, for separate installation of display and weighing units, installation by Sartorius Service or at the factory	1	VF4754
Installation of display cable, 3 m, for separate installation of display and weighing units	1	VF4016
Cable, 3 m, between the weighing module and electronics module for semi-microbalance	1	YCC01-MSM3
RS232C connection cable, 9-pin, 3 m, for connection to a PC with 9-pin COM interface	1	VF4761
USB QR barcode scanner	1	YBR05
Sartorius Wedge, software for data communication between the PC and device	1	YSW02
Foot switch for the draft shield "Open/closed" functions (only in combination with motorized draft shield), taring and printing	1	YFS02

16.1.2 Displays and Input | Output Elements

Item	Quantity	Order number
MCE operating display with color TFT display and touch screen	1	69MS0128
Motion sensor for triggering a maximum of 4 functions via gesture control, selection via menu	1	YHS02MS

16.1.3 Hardware for Pipette Calibration

Item	Quantity	Order number
Pipette calibration kit for semi-microbalance and analytical balance; consists of a moisture trap and all necessary adapters	1	YCP04MS

16.1.4 Filter Balance and Antistatic Accessories

Item	Quantity	Order number
Antistatic weighing pan, 130 mm diameter, for weighing module for semi-microbalance and analytical balance	1	YWPO4MS
Ionization blower for electrostatically charged samples	1	YIB01-ODR
Stat-Pen ionization pen for discharging electrostatically charged samples	1	YSTP01
Ionizer		
With u-shaped electrode for 230 V	1	YIB02-230V
With u-shaped electrode for 115 V	1	YIB02-115V








16.1.5 Special Applications

Item	Quantity	Order number
Density determination set for solids and liquids		
For semi-microbalance and analytical balance	1	YDK03MS
For precision balance with scale interval of 1 mg	1	YDK04MS

16.1.6 Weighing Tables

Item	Quantity	Order number
Weighing table		
Made from synthetic stone, with vibration dampening	1	YWT03
Made from wood and synthetic stone	1	YWT09
Wall console	1	YWT04

16.1.7 Weighing Accessories

Item	Image	Quantity	Order number
Weighing scoop made from chrome-nickel steel, L 90 mm × W 32 mm × H 8 mm		1	641214
Flexible sample holder for weighing vessels and filters with diameters of up to 120 mm, replaces the original weighing pan, for semi-microbalance and analytical balance		1	YFH01MS
Holder for analytical and semi-microbalance			
For reaction vessels, 1.5 ml–2 ml		1	YSH15
For reaction vessels, 5 ml		1	YSH19
For laboratory vessels		1	YSH23
For weighing scoops		1	YSH26
For filters, 150 mm diameter		1	YSH30
For titration vessel		1	YSH37
For syringes, vertical		1	YSH46

17 Sartorius Service

Sartorius Service is available should there be any queries regarding the device. Please visit the Sartorius website (www.sartorius.com) for information about the service addresses, services provided, or to contact a local representative.

When contacting Sartorius Service with questions about a system or in the event of malfunctions, be sure to have the device information close at hand e.g., serial number, hardware, firmware, and configuration. Consult the information on the manufacturer's ID label and in the "General Device Information" menu (see Chapter "4.14 Menu Structure", page 34).

18 Conformity Documents

18.1 EU Declaration of Conformity

The attached Declaration of Conformity hereby confirms compliance of the device with the directives cited.



The Declaration of Conformity supplied here is for conformity-assessed (verified) balances for use in the EEA. Please keep it in a safe place.

SARTORIUS



Original

EG-/EU-Konformitätserklärung EC / EU Declaration of Conformity

Hersteller **Sartorius Lab Instruments GmbH & Co. KG**
 Manufacturer **37070 Goettingen, Germany**

erklärt in alleiniger Verantwortung, dass das Betriebsmittel
declares under sole responsibility that the equipment

Geräteart **Elektronische Präzisions-, Milligramm-, Analysen-, Semimikro-, Mikro-Klein- und Hochlastwaage | Netzgerät | Handsensor | Klimamodul**

Device type *Electronical Precision, Milligram, Analytical, Semimicro, Micro-Small, and High-Capacity Balance | Power Supply | Hand sensor | Climatic module*

Modell **MCAvw-2x-y, MCEvw-2x-y | YEPS03-15V0 | YHS02MS | YCM20MC, YCM20MC-DAKKS**

Model

v = 2.7, 3.6, 6.6, 10.6, 124, 125, 224, 225, 323, 324, 524, 623, 1202, 1203, 2202, 2203, 3203, 4202, 5201, 5202, 5203, 6202, 8201, 8202, 10202, 11201, 12201, 14202, 20201, 32202, 36200, 36201, 50201, 70200, 70201;

w = S, P; *x* = S00, S01, CEU, CFR, CCN, OBR, OIN, ORU, OJP; *y* = A, E, F, I, M, O, R, U

in der von uns in Verkehr gebrachten Ausführung allen einschlägigen Bestimmungen der folgenden Europäischen Richtlinien entspricht und die anwendbaren Anforderungen folgender harmonisierter Europäischer Normen einschließlich deren zum Zeitpunkt der Erklärung geltenden Änderungen erfüllt:

in the form as delivered fulfils all the relevant provisions of the following European Directives and meets the applicable requirements of the harmonized European Standards including any amendments valid at the time this declaration was signed listed below:

Richtlinie Directive	EMV / EMC	RoHS	Maschinen / Machines
Norm(en) Standard(s)	2014/30/EU	2011/65/EU	2006/42/EG 2006/42/EC
	EN 61326-1:2013	EN 50581:2012	EN ISO 12100:2010 EN 61010-1:2010 ^{*)}

Die Person, die bevollmächtigt ist, die technischen Unterlagen zusammenzustellen:
The person authorised to compile the technical file:

Sartorius Lab Instruments GmbH & Co. KG
 Electronics & Product Compliance
 37070 Goettingen, Germany

Sartorius Lab Instruments GmbH & Co.
 KG Goettingen, 2021-01-14

i.v. P. B. 1/16

Dr. Reinhard Baumfalk
 Head of Product Development (LPS Division)

i.A.

Halil Yildirim
 Product Compliance Officer (SLI)

*: angewandte, jedoch für Maschinen nicht harmonisierte Norm /
applied standard, which however is not harmonized for machines

Doc: 2369814-03 SLI18CE001-03.de,en 1/1 PMF: 2369813 OP-113_fo1_2020.07.07

18.2 UK Declaration of Conformity



Original

UK Declaration of Conformity

SARTORIUS

Manufacturer Sartorius Lab Instruments GmbH & Co. KG
37070 Goettingen, Germany

declares under sole responsibility that the equipment

Device type Electronical Precision, Milligram, Analytical, Semi micro, Micro-Small and High-Capacity Balance | Power Supply | Hand sensor | Climatic module

Type series CUBIS

Model MCAvw-2x-y, MCEvw-2x-y | YEPS03-15V0 | YHS02MS | YCM20MC, YCM20MC-DAKKS

v = 2.7, 3.6, 6.6, 10.6, 124, 125, 224, 225, 323, 324, 524, 623, 1202, 1203, 2202, 2203, 3203, 4202, 5201, 5202, 5203, 6202, 8201, 8202, 10202, 11201, 12201, 14202, 20201, 32202, 36200, 36201, 50201, 70200, 70201;

w = S, P; x = S00, S01, CEU, CFR, CCN, OBR, OIN, ORU, OJP; y = A, E, F, I, M, O, R, U

in the form as delivered fulfils all the relevant provisions of the following British Regulations and meets the applicable requirements of the British Designated Standards including any amendments valid at the time this declaration was signed listed below:

The Electromagnetic Compatibility Regulations 2016
UK Statutory Instruments 2016 No. 1091
BS EN 61326-1:2013

The Restriction of the Use of Certain Hazardous Substances in Electrical and Electronic Equipment Regulations 2012; UK Statutory Instruments 2012 No. 3032
BS EN 50581:2012

The Supply of Machinery (Safety) Regulations 2008
UK Statutory Instruments 2008 No. 1597
BS EN ISO 12100:2010, BS EN 61010-1:2010*)

The person authorised to compile the technical file:

Sartorius UK Ltd.
Longmead Business Centre, Blenheim Road
KT19 9 QQ Epsom, Surrey, UK

Sartorius Lab Instruments GmbH & Co. KG
Goettingen, 2021-04-28

Dr. Reinhard Baumfalk
Head of Product Development (LPS)

Halil Yildirim
Product Compliance Officer (SLI)

*: applied standard, which however is not harmonized for machines

Doc: 2754637-00 SLI21UKCA018-00.en 1/1 PMF: 2369813 OP-113_fo18_2021.01.01

18.3 Certificate of Compliance



Certificate of Compliance

Certificate: 70185847 **Master Contract:** 167555 (056628)

Project: 70185847 **Date Issued:** 2018-09-24

Issued to: Sartorius Lab Instruments GmbH & Co. KG
 Otto-Brenner-Strasse 20
 Goettingen, Niedersachsen 37079
 GERMANY

The products listed below are eligible to bear the CSA Mark shown with adjacent indicators 'C' and 'US' for Canada and US or with adjacent indicator 'US' for US only or without either indicator for Canada only.



Issued by: *Jean-Philippe Laplante*
 Jean-Philippe Laplante

PRODUCTS

CLASS - C872106 - ELECTRICAL LABORATORY EQUIPMENT

CLASS - C872186 - ELECTRICAL LABORATORY EQUIPMENT-Certified to US Standards

Digital scale, models: MCA Series & MCE Series; rated: 15Vdc, 12W max for external PS rated: 100-240Vac, 50-60Hz, 1.0A max

Notes:

1. The above model is Equipment Class I (powered by external class I power supply with detachable power supply cord), Pollution Degree 2 and Overvoltage category II
2. Mode of operation: Continuous
3. Environmental Conditions: 5 to 40 °C, 3000 m max, 80% rH max



Certificate: 70185847

Project: 70185847

Master Contract: 167555

Date Issued: 2018-09-24

APPLICABLE REQUIREMENTS

CSA Standards:

CAN/CSA-C22.2 No. 61010-1-12 - Safety Requirements for Electrical Equipment for Measurement, Control, and Laboratory Use, Part 1: General Requirements

UL Standards:

UL Std. No. 61010-1 (3rd Edition) - Safety Requirements for Electrical Equipment for Measurement, Control, and Laboratory Use - Part 1: General Requirements

CONDITIONS OF ACCEPTABILITY

- (1) Equipment is intended to be used with power supply FSP Group Inc, Model FSP030-DGAN3 or Sinpro Electronics Co Ltd, Model SPU31-106 or PSFD rated output 15Vdc, 2A. The equipment can also be used with any other power supply approved for Canada and USA under the 60950-1 or 61010-1 or equivalent standards and which provides Reinforced insulation between mains and secondary circuits. It must be rated for 3000m and up to 40°C and must provide an output of 15Vdc LPS with a minimum of 1A
- (2) Detachable cord set, to be delivered with the product, consisting of minimum NEMA 5-15 Plug, 3 x 18AWG cable and C13 Appliance coupler. For countries outside Canada and the USA the cable must be equivalent and must fulfill the national requirements for detachable cord sets.

Sartorius Lab Instruments GmbH & Co. KG
Otto-Brenner-Strasse 20
37079 Goettingen, Germany

Phone: +49 551 308 0
www.sartorius.com

The information and figures contained in these instructions correspond to the version date specified below.

Sartorius reserves the right to make changes to the technology, features, specifications and design of the equipment without notice.

Masculine or feminine forms are used to facilitate legibility in these instructions and always simultaneously denote all genders.

Copyright notice:

These instructions, including all components, are protected by copyright.

Any use beyond the limits of the copyright law is not permitted without our approval.

This applies in particular to reprinting, translation and editing irrespective of the type of media used.

Last updated:

12 | 2021

© 2021
Sartorius Lab Instruments GmbH & Co. KG
Otto-Brenner-Str. 20
37079 Goettingen, Germany

JW | Publication No.: WMC6027-e211206